


LOVATO ELECTRIC S.P.A.

24020 GORLE (BERGAMO) ITALIA
VIA DON E. MAZZA, 12
TEL. 035 4282111
FAX (Nazionale): 035 4282200
FAX (International): +39 035 4282400
E-mail info@LovatoElectric.com
Web www.LovatoElectric.com


 **MOTORIZED CONTROL UNIT**
GEX69...C

WARNING!

- This equipment is to be installed by qualified personnel, complying to current standards, to avoid damages or safety hazards.
- The manufacturer cannot be held responsible for electrical safety in case of improper use of the equipment.
- Products illustrated herein are subject to alteration and changes without prior notice. Technical data and descriptions in the documentation are accurate, to the best of our knowledge, but no liabilities for errors, omissions or contingencies arising there from are accepted.


ATTENTION !

- Ces appareils doivent être installés par un personnel qualifié, conformément aux normes en vigueur en matière d'installations, afin d'éviter de causer des dommages à des personnes ou choses.
- Le constructeur n'assume aucune responsabilité quant à la sécurité électrique en cas d'utilisation impropre du dispositif.
- Les produits décrits dans ce document sont susceptibles d'évoluer ou de subir des modifications à n'importe quel moment. Les descriptions et caractéristiques techniques du catalogue ne peuvent donc avoir aucune valeur contractuelle.


ACHTUNG!

- Zur Vermeidung von Personen- und Sachschäden dürfen diese Geräte nur von qualifiziertem Fachpersonal und unter Befolgung der einschlägigen Vorschriften installiert werden.
- Bei zweckwidrigem Gebrauch der Vorrichtung übernimmt der Hersteller keine Haftung für die elektrische Sicherheit.
- Die in dieser Broschüre beschriebenen Produkte können jederzeit weiterentwickelt und geändert werden. Die im Katalog enthaltenen Beschreibungen und Daten sind daher unverbindlich und ohne Gewähr.


ADVERTENCIA

- Este dispositivo debe ser instalado por personal cualificado conforme a la normativa de instalación vigente a fin de evitar daños personales o materiales.
- El fabricante no se responsabilizará de la seguridad eléctrica en caso de que el dispositivo no se utilice de forma adecuada.
- Los productos descritos en este documento se pueden actualizar o modificar en cualquier momento. Por consiguiente, las descripciones y los datos técnicos aquí contenidos no tienen valor contractual.


UPOZORNĚNÍ

- Tato zařízení smí instalovat kvalifikovaní pracovníci v souladu s platnými předpisy a normami pro předcházení úrazů osob či poškození věcí.
- Výrobce nenese odpovědnost za elektrickou bezpečnost v případě nevhodného používání regulátoru.
- Výrobky popsané v tomto dokumentu mohou kdykoli projít úpravami či dalším vývojem. Popisy a údaje uvedené v katalogu nemají proto žádnou smluvní hodnotu.


AVVERTIZARE!

- Acest echipament va fi instalat de personal calificat, în conformitate cu standardele actuale, pentru a evita deteriorări sau pericolele.
- Producătorul nu poate fi considerat responsabil pentru siguranța electrică în caz de utilizare incorectă a echipamentului.
- Produsele ilustrate în prezentul sunt supuse modificărilor și schimbărilor fără notificare anterioară. Datele tehnice și descrierile din documentație sunt precise, în măsura cunoștințelor noastre, dar nu se acceptă nicio răspundere pentru erorile, omisiunile sau evenimentele neprevăzute care apar ca urmare a acestora.


Safety warnings

In the installation and during the operation of the motorised unit it is necessary to observe the following recommendations:

- Make sure the voltage of the motorised unit coincides with the foreseen working voltage and the motorised unit is suitable for the changeover it is going to drive (See page 9).
- Before installation ensure that both the changeover switch and the motorised unit are in 0 (OFF) position.
- Carefully follow the installation instructions and wiring diagrams.
- The motorised unit must be installed on the changeover switch before being operated. Do not switch the power supply on until the whole wiring process has been completed.
- Do not dismantle, repair or modify this unit, as it may cause malfunction or electrical discharges.
- Do not switch on or connect the motorised control unit if any of the parts are damaged.
- Take into account possible voltage drops in the wiring.
- Lovato Electric is not responsible for inappropriate use of the motorised unit or the misinterpretation of the information contained in this publication.
- The installation of this device in a domestic environment can cause radio-frequency interference.
- If the secondary line of the changeover switch is a generating set, make sure the generating set switches off after changing over the lines (t > 1 min).
- Surge protection devices (SPD) type 2/class II, per IEC/EN 61643-11 standards, must be installed upstream in installations with power supply line instability or disturbances due to on-off switching processes.

VERIFICATION OF THE PARTS CONTAINED IN THE KIT

Before unit assembly check that the following parts are included in the carton box:

- Motorised unit **MU**.
- Plastic bag containing screws for fixing the motorise. unit to the changeover, and electrical connectors.
- Coupling shaft.
- Auxiliary manual handle for direct operation.
- Interface.

PRODUCT GUIDE
CHANGEOVER SWITCH I - 0 - II
A - MU power supply

B - Input signals

C - Output signals

D - Position leds:

Changeover switch 0 - I - II

E - Padlock slider

F - Error led

ATTENZIONE!

- Questi apparecchi devono essere installati da personale qualificato, nel rispetto delle vigenti normative impiantistiche, allo scopo di evitare danni a persone o cose.
- Il costruttore non si assume responsabilità in merito alla sicurezza elettrica in caso di utilizzo improprio del dispositivo.
- I prodotti descritti in questo documento sono suscettibili in qualsiasi momento di evoluzioni o di modifiche. Le descrizioni ed i dati a catalogo non possono pertanto avere alcun valore contrattuale.


UWAGA!

- W celu uniknięcia obrażeń osób lub uszkodzenia mienia tego typu urządzenia muszą być instalowane przez wykwalifikowany personel, zgodnie z obowiązującymi przepisami.
- Producent nie przyjmuje na siebie odpowiedzialności za bezpieczeństwo elektryczne w przypadku niewłaściwego użytkowania urządzenia.
- Produkty opisane w niniejszym dokumencie mogą być w każdej chwili udoskonalone lub zmodyfikowane. Opisy oraz dane katalogowe nie mogą mieć w związku z tym żadnej wartości umownej.


警告!

- 本设备只能由合格人员根据现行标准进行安装，以避免造成损坏或安全危害。
- 制造商不负责因设备使用不当导致的电气安全问题。
- 此处说明的产品可能会有变更，恕不提前通知。我们竭力确保本文件中技术数据和说明的准确性，但对于错误、遗漏或由此产生的意外事件概不负责。


ПРЕДУПРЕЖДЕНИЕ!

- Во избежание травм или материального ущерба монтаж осуществляться только квалифицированным персоналом в соответствии с действующими нормативами.
- Производитель не несет ответственность за обеспечение электробезопасности в случае ненадлежащего использования устройства.
- Изделия, описанные в настоящем документе, в любой момент могут подвергнуться изменениям или усовершенствованиям. Поэтому каталожные данные и описания не могут рассматриваться как действительные с точки зрения контрактов

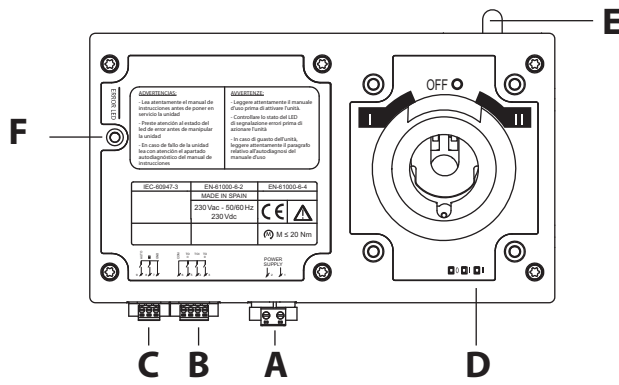

DIKKAT!

- Bu aparatlar kişilere veya nesnelere zarar verme ihtimaline karşı yürürlükte olan sistem kurma normlarına göre kalifiye personel tarafından monte edilmelidir.
- Üretilen aparatın hatalı kullanımından kaynaklanan elektriksel güvenliğe ait sorumluluk kabul etmez.
- Bu dokümanda tarif edilen ürünler her an evrimlere veya değişimlere açıktır. Bu sebeple katalogdaki tarif ve değerler herhangi bir baglayıcı değeri haiz değildir.

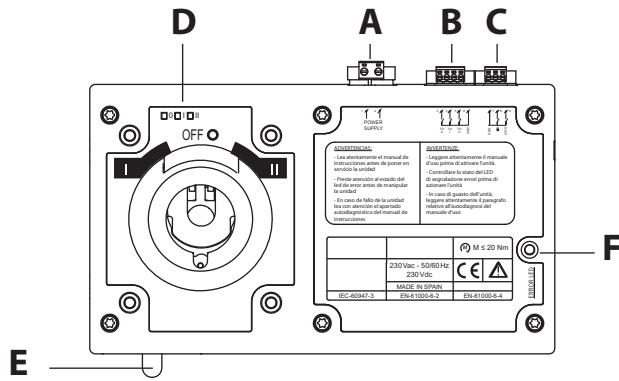

NOTE:

Contents of this publication can be modified without prior notice.

CHANGEOVER SWITCH GE0160E/T4 - GE0200E/T4

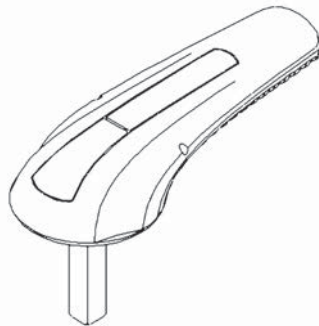


CHANGEOVER SWITCH GE0201E/T4 - GE0800E/T4



AUXILIARY MANUAL HANDLE

For maintenance or emergency operating.



INSTALLATION / MOUNTING

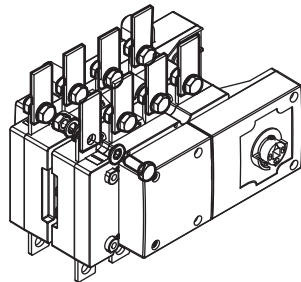
Ensure that the voltage of the motorised unit coincides with the working voltage to be used and the motorised unit is suitable for the changeover it is going to drive. (See page 7).

Before installation, make sure that both the changeover switch and the motorised control unit are in position 0 (OFF).

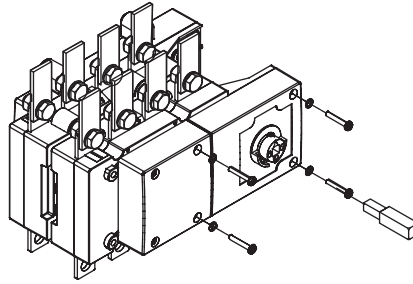
The motorised unit must be installed on the changeover switch before being operated per the following steps.

FOR CHANGEOVER SWITCH GE0160E/T4 - GE0200E/T4

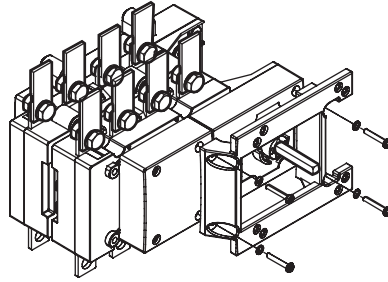
1 - Set the changeover switch in its place fix the busbars and unite the common output.



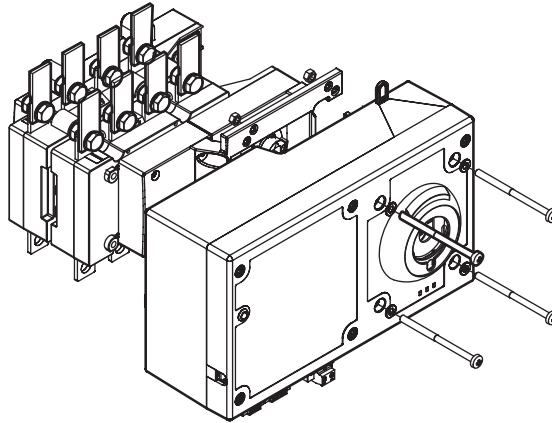
2 - Insert the coupling shaft and fix it with an allen key 2,5 DIN 90011. Without removing the front cover, remove the four screws indicated.



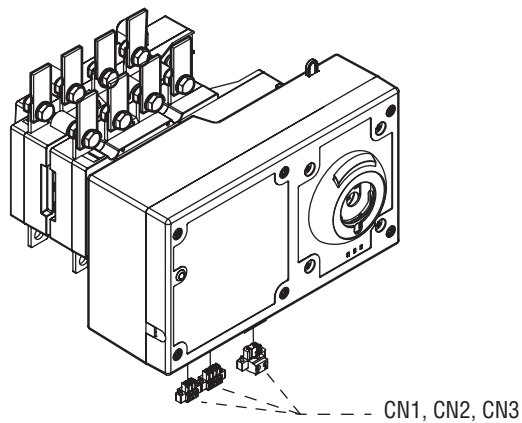
3 - Place the interface and screw it on top of the changeover switch M3.5x30 DIN7985 (x4) screws and A.E.T. 4,3 (x4) washers are included.



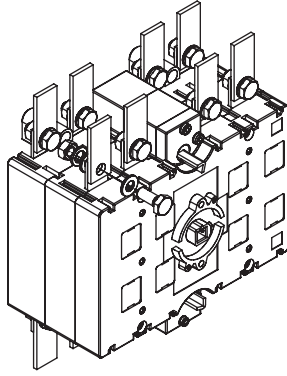
4 - Screw the motorized unit (with changeover switch and **MU** in 0 (OFF) position). M5 x 75 DIN 7985 (x 4) screws, A.E.T. 5,3 (x 4) washers, M5 DIN 933 (x4) nuts are included.



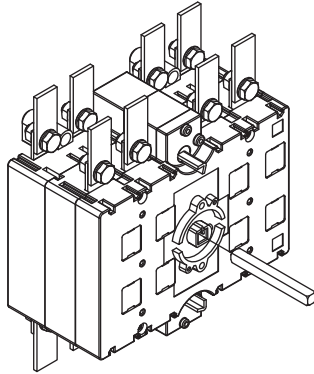
5 - Locate the connectors (CN1, CN2, CN3) and make the connections according to the electrical diagram (see annex 3, page 8).



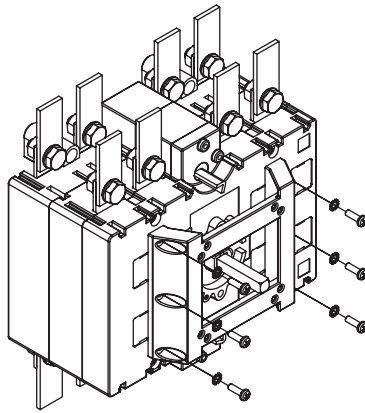
1 - Set the changeover switch in its place and fix the busbars.



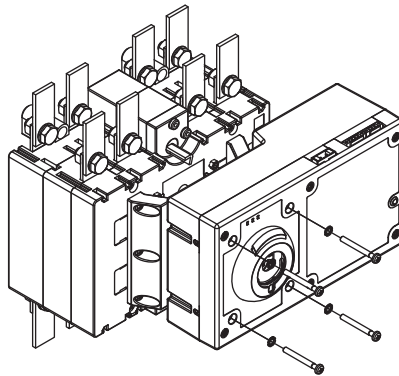
2 - Insert the coupling shaft and fix it with an allen key 2,5 DIN 90011.



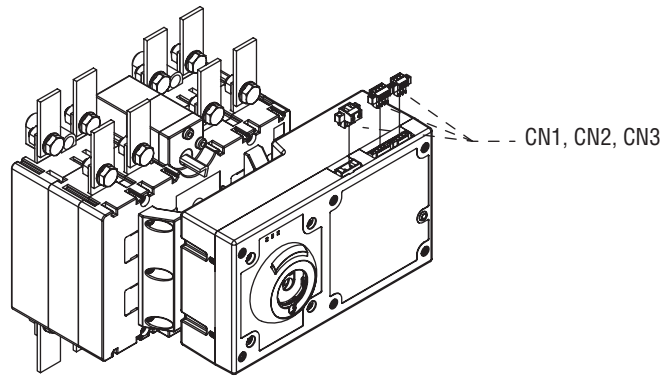
3 - Place the interface and screw it on top of the changeover switch. M5x15 DIN7985 (x6) screws and A.E.T. 5,3 (x6) washers are included.



4 - Screw the motorized unit (with changeover switch and **MU** in 0 (OFF) position). M5 x 75 DIN 7985 (x 4) screws, A.E.T. 5,3 (x 4) washers, M5 DIN 933 (x4) nuts are included.



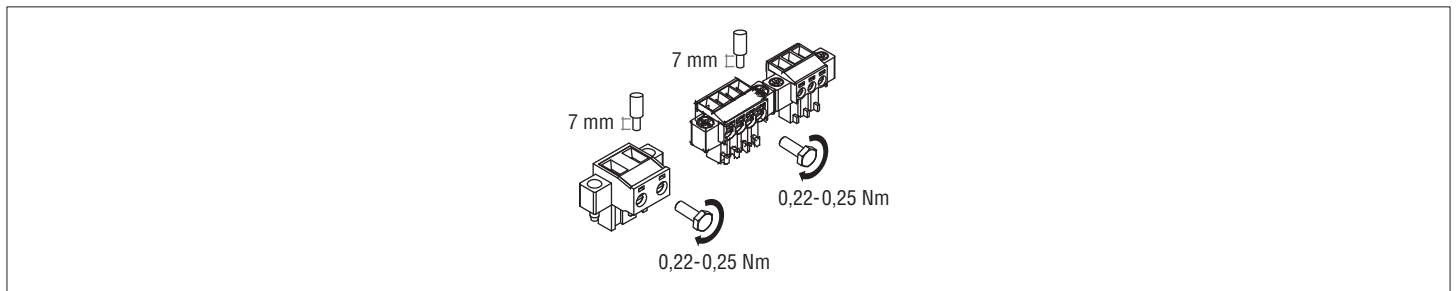
5 - Locate the connectors (CN1, CN2, CN3) and make the connections according to the electrical diagram (see annex 3, page 8).



SUPPLY VOLTAGE

The motorised unit requires a supply voltage for its operation (terminals 1-2). For the motorised unit to have an uninterrupted power supply (mains-secondary sources), the client needs to prepare a circuit similar to the example at page 8. Surge protection devices (SPD) type 2/class II, per IEC/EN 61643-11 standards, must be installed upstream in installations with power supply line instability or disturbances due to on-off switching processes.

	Terminals 1-2
Maximum wiring capacity	4 mm ² (w/o comp. lugs)
	2.5 mm ² (w. comp. lugs)
Minimum wiring capacity	1.5 mm ²



INPUT SIGNALS

The state of the electrical inputs indicates the position where the motorised control unit is to move to. The inputs can be controlled by a dry contact. To activate the motorised control unit with a dry (no-volt) contact, close the circuit of terminal +5VDC (terminal 7). If the direct application of a voltage is your choice, the voltage generator should have identical potential as the input parts, so it will be necessary to connect the "ground" signal of the generator with GND1 terminal (pin 3).

Changeover state	Terminal	5VDC	GND 1
Position 0	4	7	3
Position I	5	7	3
Position II	6	7	3
Maximum wiring capacity	4 mm ² (w/o comp. lugs)		
	2.5 mm ² (w. comp. lugs)		
Minimum wiring capacity	1.5 mm ²		

OUTPUT SIGNALS

Indicate the operational mode (Automatic or locked) of the changeover switch. Performed through a contact based on a solid state. Outputs can be powered through the **MU** internal auxiliary voltage of +5VDC (pin 7) acting as common for the outputs with the corresponding terminal Connecting GND1 and GND2. The outputs can also be controlled through an external voltage source located between the position outputs and the GND terminal (Vmax=315Vac/dc, Imax=120mA).

Motorized unit state	Terminal	+5 VDC	GND 2
LOCKED mode	9	7	8
AUTOMATIC mode	10	7	8
Maximum wiring capacity	4 mm ² (w/o comp. lugs)		
	2.5 mm ² (w. comp. lugs)		
Maximum wiring capacity	1.5 mm ²		

I_{max} = 120mA x Terminal. External power supply + GND

OPERATIONAL MODES

Automatic

This is the standard status of the unit and it is activated when auxiliary manual handle or padlock are not installed. The unit only obey input signals.

Manual

This mode is activated when inserting and locking the auxiliary manual handle on its housing (handle ring). The unit can only be moved with auxiliary manual handle. Electrical operations are not allowed.

Locked

This mode is activated when extracting the padlock slider. Manual or electrical operations are not allowed.

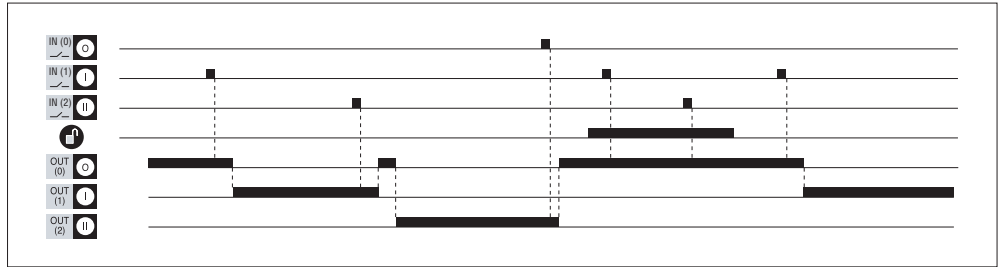
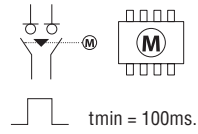
AUTOMATIC OPERATION

In this mode the unit only acts according to digital inputs. **MU** moves according to the first order received either with continuous signal or pulses.

PULSE CONTROL

The switching order is made by pulse between common terminal and terminals 4 (position 0), 5 (position I) and 6 (position II).
Minimum pulse duration: 100ms.

Example of pulse control:



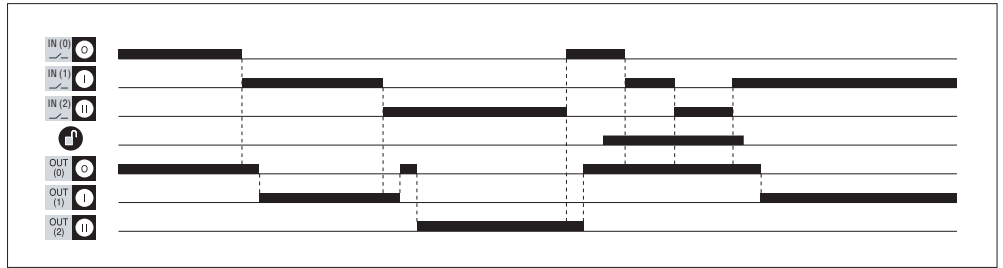
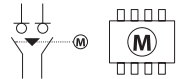
MAINTAINED CONTACT CONTROL

The switching order is made by maintained contact between common terminal and terminals 4 (position 0), 5 (position I) and 6 (position II).

Outputs

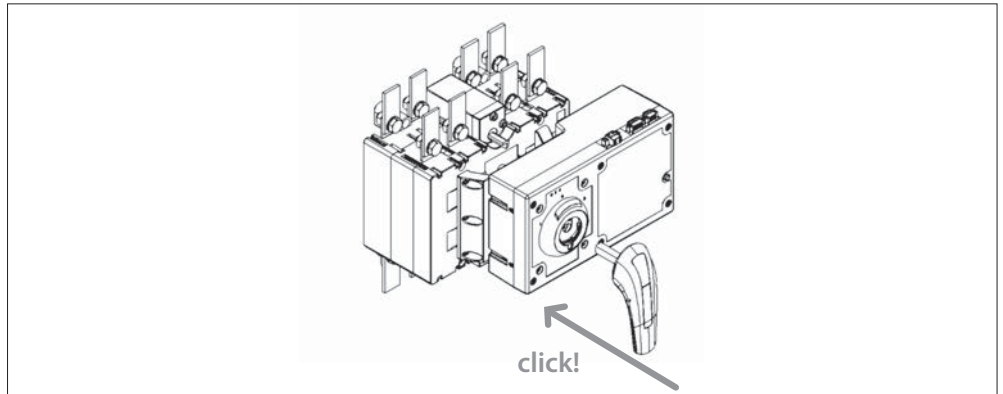
The outputs indicate the positions of the changeover switch; see page 5.

Example of maintained contact control:

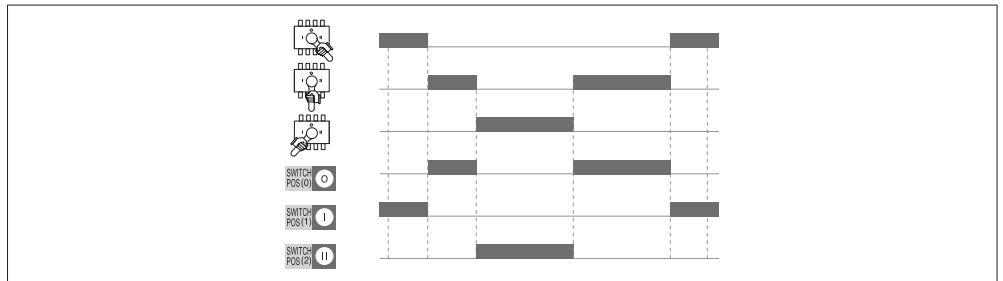


MANUAL OPERATION

Manual operation is activated automatically when inserting the auxiliary manual handle on its housing. Handle insertion must be performed until it reaches its locked position.



Once handle is locked the unit changes to manual operation and movements can only be performed with the auxiliary manual handle.

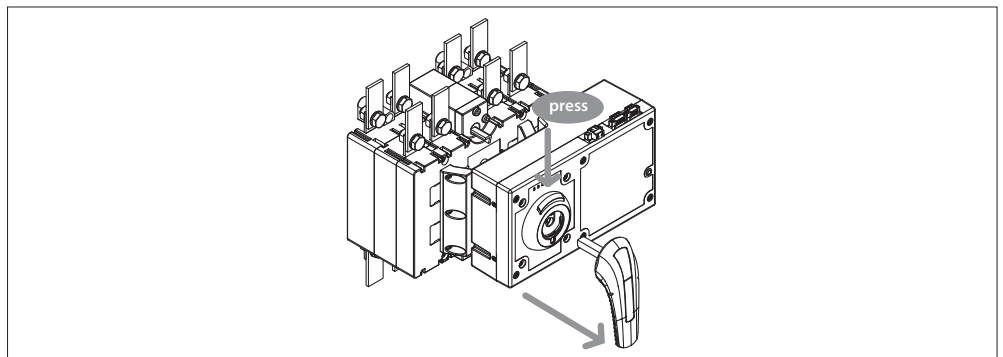


Inputs

No automatic operation is allowed in this mode. The unit will not obey any electrical input signal.

Return to automatic operation

Once manual operation is done the unit returns to AUTOMATIC mode by releasing and extracting the auxiliary manual handle. Handle extraction is performed by pressing the grey push button located in the handle ring. Once pressed the handle is released from the ring.



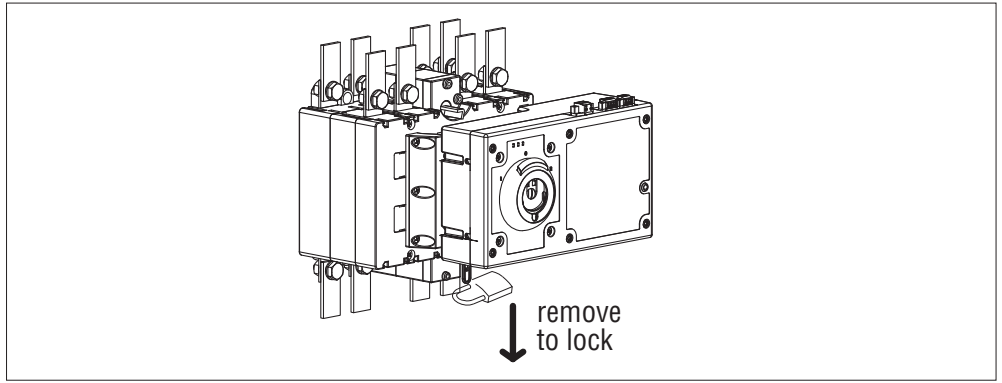
LOCKED MODE

In this mode neither manual nor automatic operation can be performed. This mode can be activated by two ways:

- Extracting the padlock slider
- Inserting the auxiliary manual handle, changing to 0 (OFF) position and activating the handle padlockable lever.

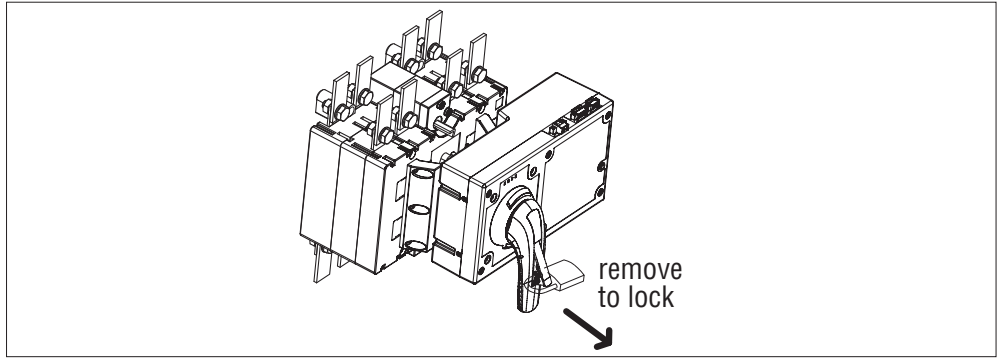
UNIT LOCKING VIA PADLOCKABLE LEVER ACTIVATION

This padlock can be in any position according to changeover switch I - 0 - II or switch - disconnecter 0 - I.



UNIT LOCKING BY AUXILIARY MANUAL HANDLE

This padlock is only allowed at 0 (OFF) position, once locked, the handle cannot be removed from the **MU**.



The output signal in between terminals 8 and 9 is only activated when the unit is locked via padlockable lever activation.

ERROR LED

MU has an integrated led for failure indication. It can be activated in any of the below situations:

- Failure due to movement under locked position: The unit shaft has moved with the unit in Locked mode.
- Failure due to final position not reached: The ongoing movement has not been finalized.
- Failure due to broken clutch: A shaft movement has been performed with auxiliary manual handle while the state was AUTO. (see annex 6).

NOTE: Once error led is activated, the **MU** remains locked.

MU unlocking is only possible by switching OFF and ON power supply.

ANNEXES

Annex 1: changeover switch references

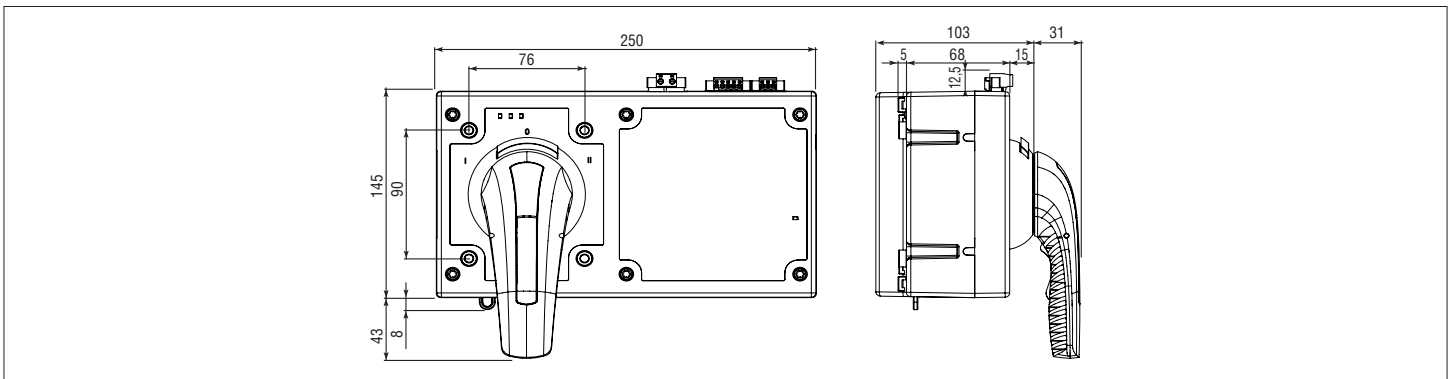
MU range is available for changeover switches in the 160 to 800 Amp range. Power supply is 230VAC/DC.

Changeover switches I - 0 - II		
A	3 P Code	3 P + N Code
160	GE0160E	GE0160ET4
200	GE0200E	GE0200ET4
200	GE0201E	GE0201ET4
250	GE0250E	GE0250ET4
315	GE0315E	GE0315ET4
400	GE0400E	GE0400ET4
500	GE0500E	GE0500ET4
630	GE0630E	GE0630ET4
800	GE0800E	GE0800ET4

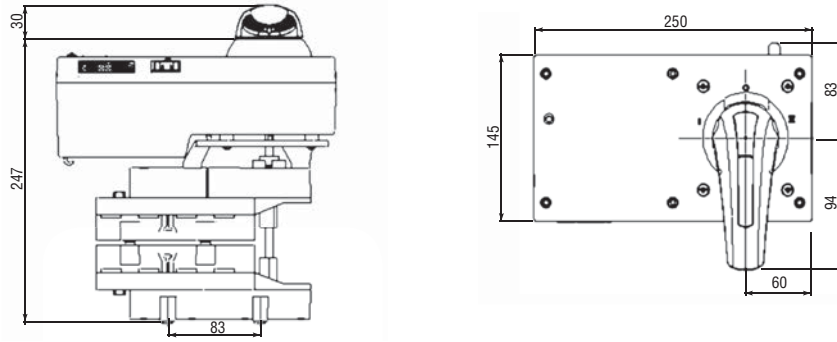
Motorized unit MU	
A	230VAC/DC Code
160-200	GEX690C
250-400	GEX691C
500-800	GEX692C

Annex 2:

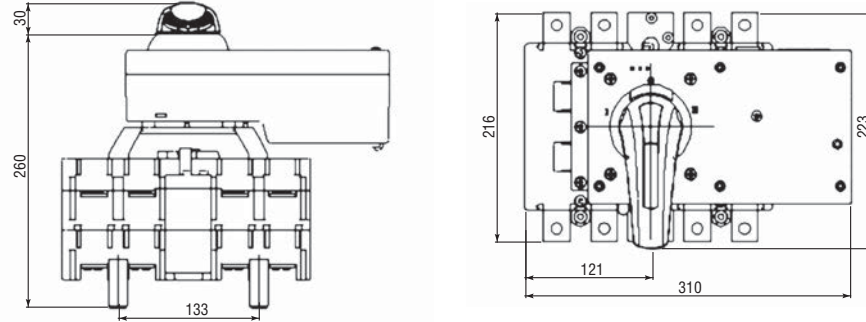
DIMENSIONS (mm)



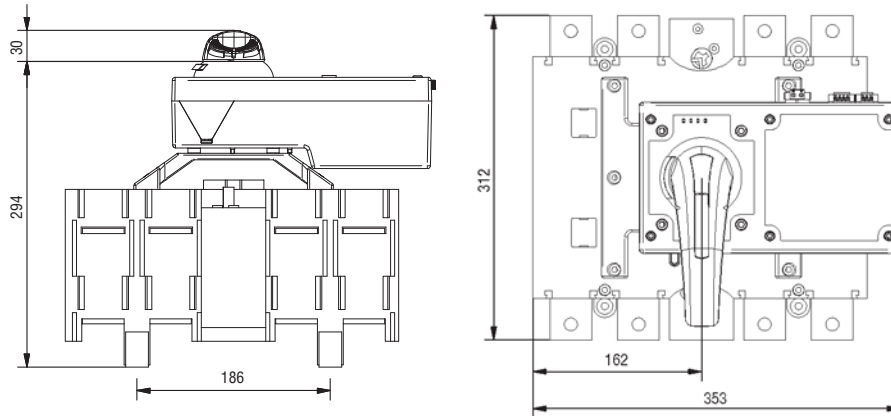
Changeover switch
GE0160E/T4 - GE0200E/T4 + GEX690C



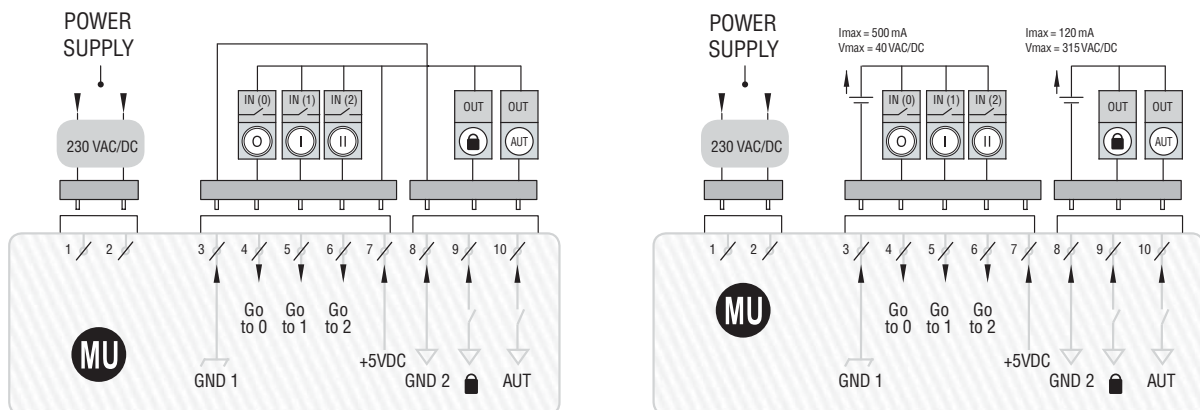
GE0201E/T4 - GE0400E/T4 + GEX691C

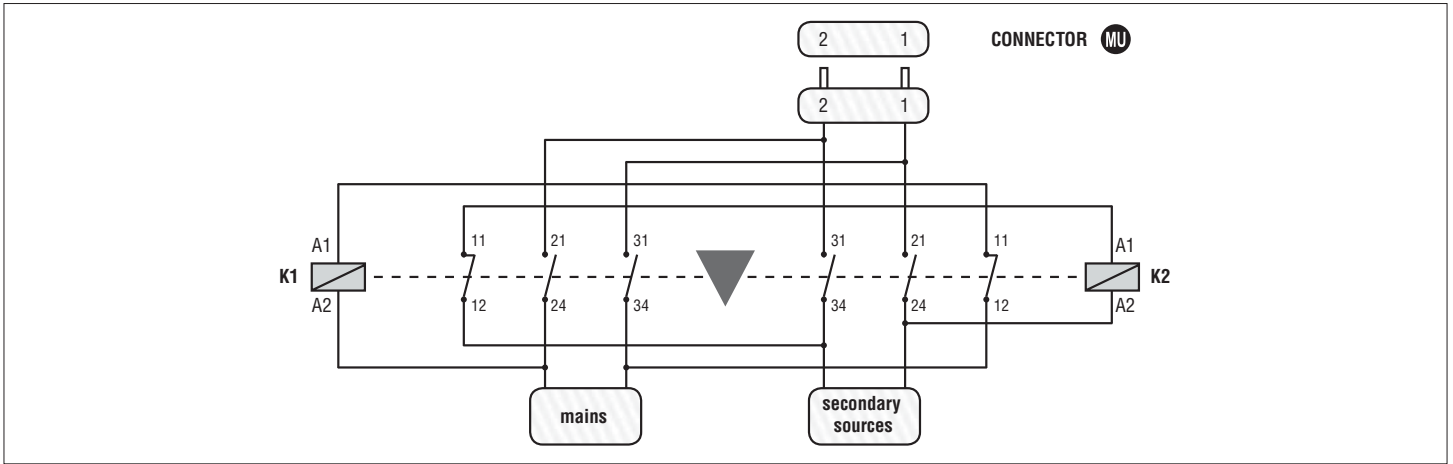


GE0500E/T4 - GE0800E/T4 + GEX692C



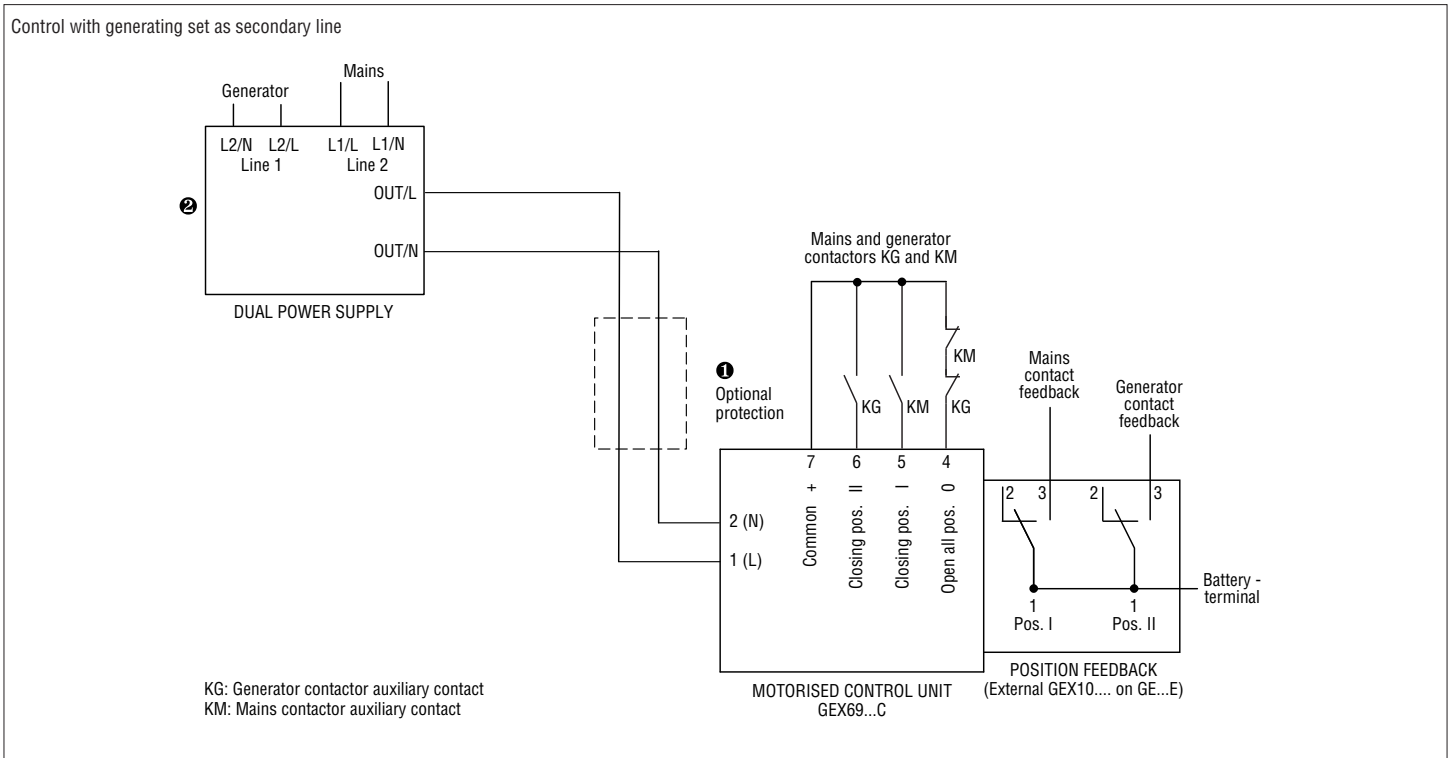
Annex 3:
Wiring diagrams
CHANGEOVER SWITCH I - 0 - II



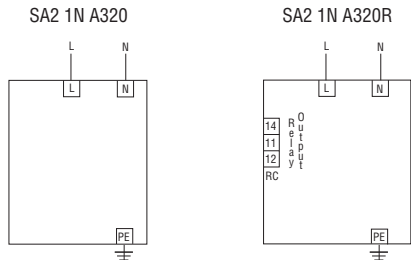


EXAMPLE OF GEX69...C USED WITH LOVATO ELECTRIC RGK...

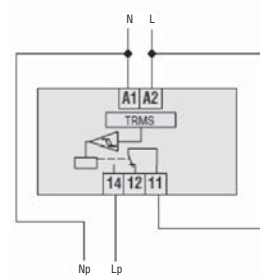
WIRING DIAGRAM



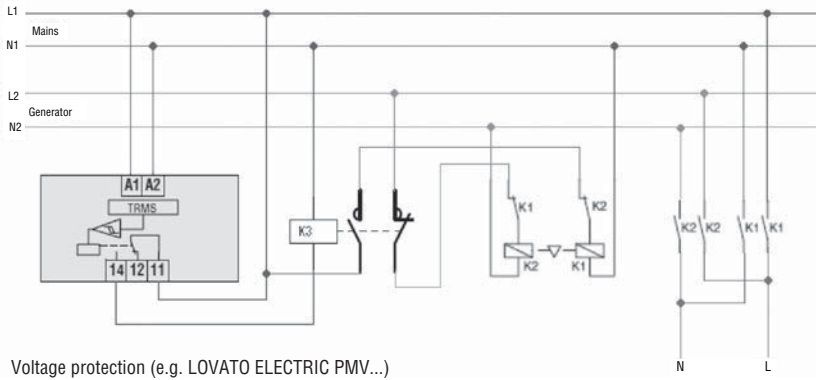
1 SOLUTION 1
 (e.g. LOVATO ELECTRIC SA2 1N A320 / A320R)



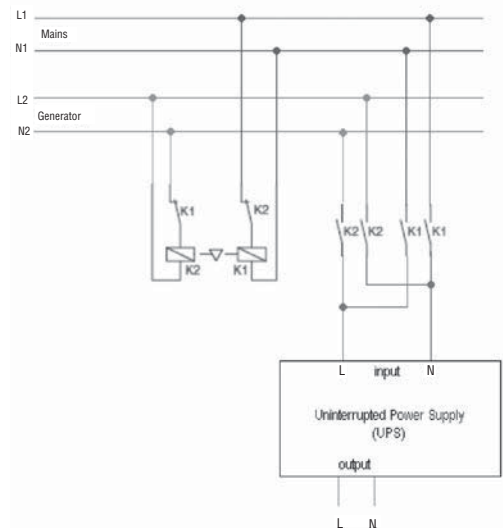
SOLUTION 2
 (e.g. LOVATO ELECTRIC PMV...)



2 DUAL POWER SUPPLY SOLUTION 1



DUAL POWER SUPPLY SOLUTION 2



Annex 4: electrical features table

		Changeover switch GE0160E/T4 - GE0400E/T4	Changeover switch GE0500E/T4 - GE0800E/T4
Operational torque	Nm	20	30
Rated operational voltage	V	230VAC/DC	230VAC/DC
Operating voltage range ❶	ΔV	da 0.85V a 1.15V	da 0.9V a 1.1V
Operating voltage range acc. IEC 60947-6	ΔV	da 0.95V a 1.10V	da 0.95V a 1.10V
Cable section of voltage supply	mm ²	1.5 - 2.5	1.5 - 2.5
Cable section area Input Signals	mm ²	0.5 - 1.5	0.5 - 1.5
Cable section area Auto-Lock mode Outputs	mm ²	0.5 - 1.5	0.5 - 1.5
Inrush Current	A	1.1	1.1
Use current	mA	45	45
Protective Fuse ❷	A	1	1
Operating angle		- 70° / 0° / +70° (I - 0 - II)	- 70° / 0° / +70° (I - 0 - II)
MU number of operations	Cycles	10000	5000
Operation rate (0 - I - II - 0)	Cycles/hour	120	60
Operating temperature		-25°C +55°C	-25°C +55°C
Transportation and storage temperature		-40°C +70°C	-40°C +70°C
Weight	kg	1.8	1.8

❶ Based in our own tests

❷ Fuse reference F0,5AL250 V (Littelfuse)

Pos.	Direction	Pos.	Operating time
0	→	I	750 ms
I	→	0	750 ms
0	→	II	750 ms
II	→	0	750 ms
I	→	II	1.5 s
II	→	I	1.5 s

Annex 5: EMC table (electromagnetic compatibility)

Immunity					
Test	Standard	According to standard UNE/EN 61000	According to standard IEC 60947-6	Results achieved	Values achieved in tests
Electrostatic discharges	EN 61000-4-2	Special, B	Special, A	Special, A	±8KV air discharge ±4KV equipment discharge
Electromagnetic H.F. field	EN 61000-4-3	Level 3, A	Level 3, A	Level 3, A	10V/m. from 80MHz to 1 GHz
Fast transients (Burst)	EN 61000-4-4	Level 3, B	Level 3, A	Level 4, A	±4KV power supply, freq. Rep. 2.5kHz ±2KV signal supply, freq. Rep 5kHz
Fast transient (surge discharge)	EN 61000-4-5	Level 3, B	Level 3, A	Special, A	±4KV power supply L1-L2 Generator impedance 2Ω (wave 1.2/50 ms)
Conducted disturbances	EN 61000-4-6	Level 3, A	Level 3, A	Level 3, A	10V supply and signal
Electromagnetic field, industrial frequency	EN 61000-4-8	Level 4, A	—	Level 4, A	Field intensity 30A/m
Voltage dips, interruptions and voltage variations	EN 61000-4-11	Criterion B	—	Criterion A	30% Un - 1000 ms
		Criterion C	—	Criterion A	60% Un - 1000 ms
		Criterion C	—	Criterion B	95% Un - 5000 ms
Emission					
Test	Standard	According to standard UNE/EN 61000	According to standard IEC 60947-6	Results achieved	Values achieved in tests
Emission of harmonic current	EN 61000-3-2	Level 3	Level 3	Level 3	0.02A total current (manual mode)
		Level 3	Level 3	Level 3	0.04A total current (automatic mode)
Unwanted voltage	EN 55011	Level 3	Level 3	Level 3	Qualified
Radiated emission	N 55011	Level 3	Level 3	Level 3	Qualified

NOTE: The installation of this device in a domestic environment can cause radiofrequency interference

EN 61000 is equivalent to IEC 61000 - EN 55011 is equivalent to CISPR11

CRITERION A: Normal service behaviour in determined limits

CRITERION B: Transient alteration of the service. The appliance gets back to the normal performing without the intervention of the operator

CRITERION C: A loss of function is allowed, provided the function is self-recoverable, or can be restored by the operation of the controls or cycling of the power to the EUT by the user in accordance with the manufacturer's instructions.

Test level 3: Typical industrial environment, without special installation measures

Test level 4: Severe industrial environment

Special level: Level of higher electromagnetic severe environment

Annex 6: diagnostic table

Symptom	Possible causa	Recommended action
Once MU is installed, in the first automatic operation, the unit does not change its position and error led turns ON	MU has not been installed with switch or changeover switch in "0" position	Disassemble the unit. Change the switch or changeover switch to "0" position. Reassemble the unit and repeat the manoeuvre
The MU does not operate at all and error led remains OFF	Supply voltage out of specification	Check with a multimeter the voltage between terminals 1 and 2 of the MU . The voltage must fulfil the range indicated (see annex 5, page 14)
	Wiring to input signals is damaged	Check wiring continuity from remote control to the MU
The MU does not operate according to input signals and neither padlock slider nor auxiliary manual handle have been used. Error led is ON	Power fuse blown	Check fuse with a multimeter. If fuse is blown replace it with a new one equal to the specified (see annex 5, page 14)
After inserting and releasing the auxiliary manual handle the MU does not operate according to input signals. Error led remains OFF	Auxiliary manual handle clutch has not returned to top position	Insert the auxiliary manual handle again and check that that during extraction it is rejected automatically by the clutch. Check with a multimeter that output between terminal 7 and 9 is closed (AUTO mode active)
Using auxiliary manual handle the switch or changeover switch position has been changed and after releasing the handle the MU does not operate according to input signals. Error LED remains OFF	Auxiliary manual handle clutch has not returned to top position	Insert the auxiliary manual handle again and check that during extraction it is rejected automatically by the clutch. Check with a multimeter that output between terminal 7 and 9 is closed (AUTO mode active)
Using auxiliary manual handle the switch or changeover switch position has been changed and after releasing the handle the MU does not operate according to input signals. Error LED is ON	No coherence in between MU position and switch or changeover switch position that can not be solved by MU logical control	Insert the auxiliary manual handle again and return the switch or changeover switch to prior to failure position. After releasing the handle check that AUTO operation has been reestablished

NOTE: Once error led is activated, the **MU** remains locked. **MU** unlocking is only possible by switching OFF and ON power supply

STANDARDS

- IEC/EN 60947-1 and 3. Low voltage devices. General part and switch - disconnectors.
- IEC/EN/UNE 61000-6, Parts 2 and 4. Electromagnetic compatibility in industrial environments, immunity and emission.
- According to European Standard 2006/95/CE for low voltage.
- According to European standard 2004/108/CE of EMC.

This product is under  marking

NOTE: The content of this document can be modified without previous warning.


LOVATO ELECTRIC S.P.A.

24020 GORLE (BERGAMO) ITALIA
VIA DON E. MAZZA, 12
TEL. 035 4282111
FAX (Nazionale): 035 4282200
FAX (International): +39 035 4282400
E-mail info@LovatoElectric.com
Web www.LovatoElectric.com



I COMANDO MOTORIZZATO

GEX69...C



WARNING!

- This equipment is to be installed by qualified personnel, complying to current standards, to avoid damages or safety hazards.
- The manufacturer cannot be held responsible for electrical safety in case of improper use of the equipment.
- Products illustrated herein are subject to alteration and changes without prior notice. Technical data and descriptions in the documentation are accurate, to the best of our knowledge, but no liabilities for errors, omissions or contingencies arising there from are accepted.



ATTENTION !

- Ces appareils doivent être installés par un personnel qualifié, conformément aux normes en vigueur en matière d'installations, afin d'éviter de causer des dommages à des personnes ou choses.
- Le constructeur n'assume aucune responsabilité quant à la sécurité électrique en cas d'utilisation impropre du dispositif.
- Les produits décrits dans ce document sont susceptibles d'évoluer ou de subir des modifications à n'importe quel moment. Les descriptions et caractéristiques techniques du catalogue ne peuvent donc avoir aucune valeur contractuelle.



ACHTUNG!

- Zur Vermeidung von Personen- und Sachschäden dürfen diese Geräte nur von qualifiziertem Fachpersonal und unter Befolgung der einschlägigen Vorschriften installiert werden.
- Bei zweckwidrigem Gebrauch der Vorrichtung übernimmt der Hersteller keine Haftung für die elektrische Sicherheit.
- Die in dieser Broschüre beschriebenen Produkte können jederzeit weiterentwickelt und geändert werden. Die im Katalog enthaltenen Beschreibungen und Daten sind daher unverbindlich und ohne Gewähr.



ADVERTENCIA

- Este dispositivo debe ser instalado por personal cualificado conforme a la normativa de instalación vigente a fin de evitar daños personales o materiales.
- El fabricante no se responsabilizará de la seguridad eléctrica en caso de que el dispositivo no se utilice de forma adecuada.
- Los productos descritos en este documento se pueden actualizar o modificar en cualquier momento. Por consiguiente, las descripciones y los datos técnicos aquí contenidos no tienen valor contractual.



UPOZORNĚNÍ

- Tato zařízení smí instalovat kvalifikovaní pracovníci v souladu s platnými předpisy a normami pro předcházení úrazů osob či poškození věcí.
- Výrobce nenesse odpovědnost za elektrickou bezpečnost v případě nevhodného používání regulátoru.
- Výrobky popsané v tomto dokumentu mohou kdykoli projit úpravami či dalším vývojem. Popisy a údaje uvedené v katalogu nemají proto žádnou smluvní hodnotu.



AVERTIZARE!

- Acest echipament va fi instalat de personal calificat, în conformitate cu standardele actuale, pentru a evita deteriorări sau pericolele.
- Producătorul nu poate fi considerat responsabil pentru siguranța electrică în caz de utilizare incorectă a echipamentului.
- Produsele ilustrate în prezentul sunt supuse modificărilor și schimbărilor fără notificare anterioară. Datele tehnice și descrierile din documentație sunt precise, în măsura cunoștințelor noastre, dar nu se acceptă nicio răspundere pentru erorile, omisiunile sau evenimentele neprevăzute care apar ca urmare a acestora.



Avvisi di sicurezza

Durante l'installazione e il funzionamento del comando motorizzato è necessario attenersi alle indicazioni di seguito.

- Assicurarsi che la tensione del comando motorizzato corrisponda alla tensione di esercizio prevista e che il comando motorizzato sia idoneo al dispositivo di commutazione che si intende comandare (vedere pag. 9).
- Prima dell'installazione assicurarsi che sia il commutatore sia il comando motorizzato siano in posizione 0 (OFF).
- Seguire attentamente le istruzioni per l'installazione e fare riferimento agli schemi di connessione.
- Il comando motorizzato deve essere installato sul commutatore prima di essere azionato. Non alimentare prima di aver completato tutte le operazioni di cablaggio.
- Non smontare, riparare o modificare questo modulo poiché potrebbero verificarsi danneggiamenti o scariche elettriche.
- Non alimentare in tensione o collegare il comando motorizzato se un componente qualsiasi risulta danneggiato.
- Tenere conto delle possibili cadute di tensione linea di alimentazione.
- Lovato Electric non è in alcun modo responsabile dell'utilizzo scorretto del comando motorizzato o dell'errata interpretazione delle informazioni riportate nel presente documento.
- L'installazione di questo dispositivo in un ambiente domestico può generare interferenze in radiofrequenza.
- Se la linea secondaria del commutatore è un gruppo elettrogeno assicurarsi che il gruppo elettrogeno venga disinserito (Off) dopo la commutazione delle linee ($t > 1$ min).
- In impianti con reti elettriche instabile o con disturbi dovuti a processi di interruzione, un dispositivo di protezione contro le sovratensioni (SPD) di tipo 2/classe II deve essere installato secondo le norme IEC/EN 61643-11.

VERIFICA DEI COMPONENTI INCLUSI NEL KIT

Prima di montare l'unità, assicurarsi che i seguenti componenti siano inclusi nella scatola di cartone:

- Unità motorizzata **MU**.
- Sacchetto di plastica contenente le viti di fissaggio dell'unità motorizzata al commutatore e connettori elettrici.
- Albero di collegamento.
- Maniglia ausiliaria di azionamento manuale diretto.
- Interfaccia (solo commutazione).

GUIDA DEL PRODOTTO

COMMUTATORE I - 0 - II

A - Alimentazione **MU**

B - Segnali di ingresso

C - Segnali di uscita

D - LED di posizione: Commutatore 0 - I - II

E - Cursore per lucchetto

F - LED di errore

ATTENZIONE!

- Questi apparecchi devono essere installati da personale qualificato, nel rispetto delle vigenti normative impiantistiche, allo scopo di evitare danni a persone o cose.
- Il costruttore non si assume responsabilità in merito alla sicurezza elettrica in caso di utilizzo improprio del dispositivo.
- I prodotti descritti in questo documento sono suscettibili in qualsiasi momento di evoluzioni o di modifiche. Le descrizioni ed i dati a catalogo non possono pertanto avere alcun valore contrattuale.



UWAGA!

- W celu uniknięcia obrażeń osób lub uszkodzenia mienia tego typu urządzenia muszą być instalowane przez wykwalifikowany personel, zgodnie z obowiązującymi przepisami.
- Producent nie przyjmuje na siebie odpowiedzialności za bezpieczeństwo elektryczne w przypadku niewłaściwego użytkowania urządzenia.
- Produkty opisane w niniejszym dokumencie mogą być w każdej chwili udoskonalone lub zmodyfikowane. Opisy oraz dane katalogowe nie mogą mieć w związku z tym żadnej wartości umownej.



警告!

- 本设备只能由合格人员根据现行标准进行安装，以避免造成损坏或安全危害。
- 制造商不负责因设备使用不当导致的电气安全问题。
- 此处说明的产品可能会有变更，恕不提前通知。我们竭力确保本文件中技术数据和说明的准确性，但对于错误、遗漏或由此产生的意外事件概不负责。



ПРЕДУПРЕЖДЕНИЕ!

- Во избежание травм или материального ущерба монтаж должен осуществляться только квалифицированным персоналом в соответствии с действующими нормативами.
- Производитель не несет ответственность за обеспечение электробезопасности в случае ненадлежащего использования устройства.
- Изделия, описанные в настоящем документе, в любой момент могут подвергнуться изменениям или усовершенствованиям. Поэтому каталожные данные и описания не могут рассматриваться как действительные с точки зрения контрактов.



DIKKATI!

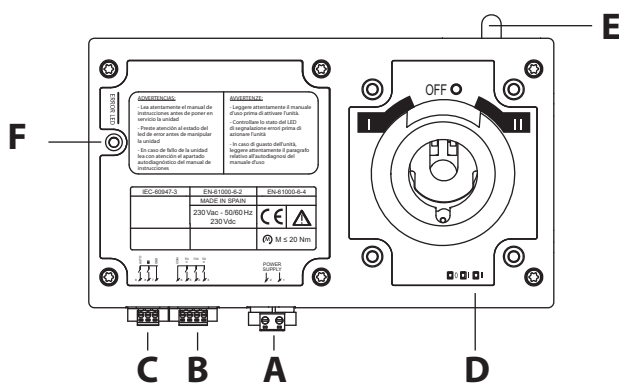
- Bu aparatlar kişilere veya nesnelere zarar verme ihtimaline karşı yürürlükte olan sistem kurma normlarına göre kalifiye personel tarafından monte edilmelidir.
- Üretici aparatın hatalı kullanımından kaynaklanan elektriksel güvenliğe ait sorumluluk kabul etmez.
- Bu dokümanda tarif edilen ürünler her an evrimlere veya değişimlere açıktır. Bu sebeple katalogdaki tarif ve değerler herhangi bir bağlayıcı değen haiz değildir.



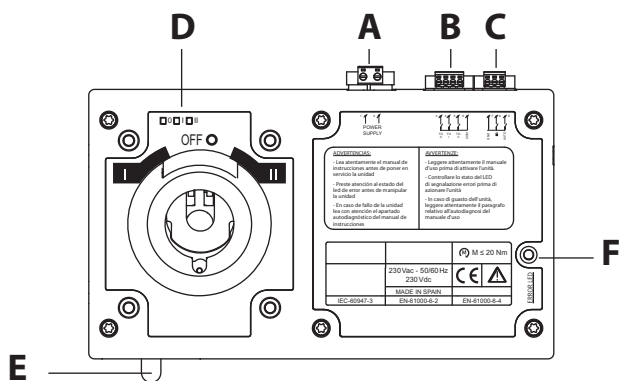
NOTA:

le informazioni riportate nel presente documento sono soggette a modifiche senza preavviso.

COMMUTATORE GE0160E/T4 - GE0200E/T4

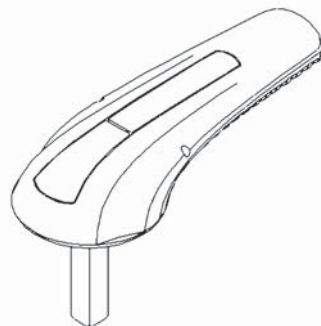


COMMUTATORE GE0201E/T4 - GE0800E/T4



MANIGLIA AUSILIARIA DI AZIONAMENTO MANUALE

Per operazioni di manutenzione o azionamento di emergenza.



INSTALLAZIONE / MONTAGGIO

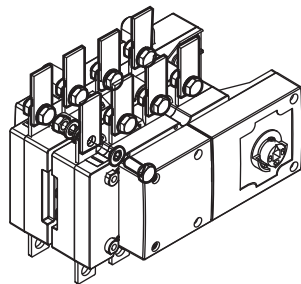
Assicurarsi che la tensione del comando motorizzato corrisponda alla tensione di esercizio prevista e che il comando motorizzato sia idoneo al dispositivo di commutazione che si intende comandare (vedere pag. 18).

Prima dell'installazione assicurarsi che sia il commutatore sia il comando motorizzato siano in posizione 0 (OFF).

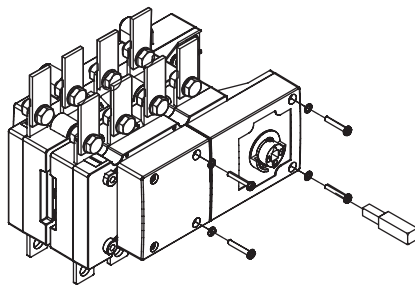
Il comando motorizzato deve essere installato sul commutatore prima di essere messo in servizio rispettando le indicazioni riportate di seguito.

PER COMMUTATORE GE0160E/T4 - GE0200E/T4

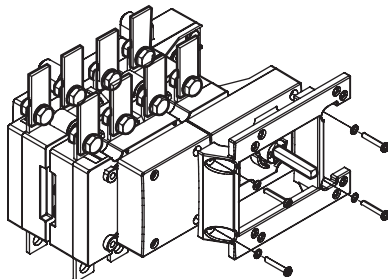
1 - Posizionare il commutatore, fissare le sbarre e unire l'uscita comune.



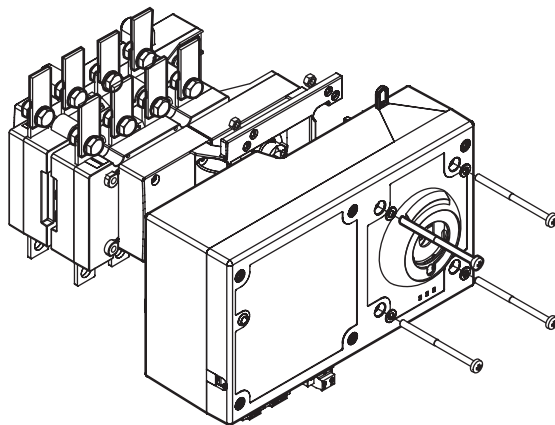
2 - Inserire l'albero di collegamento e fissarlo con una chiave a brugola da 2,5 DIN 90011. Senza togliere il coperchio anteriore, togliere le quattro viti indicate.



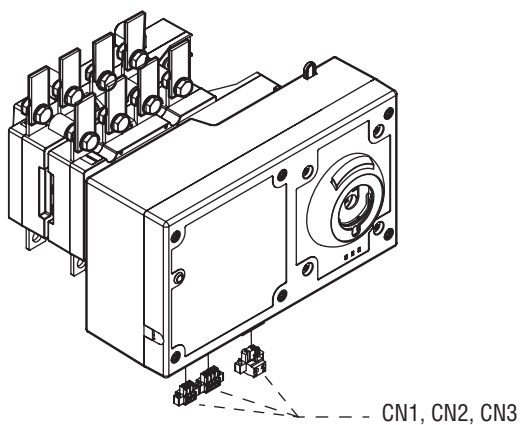
3 - Posizionare l'interfaccia ed avvitarela sul commutatore usando viti M3.5x30 DIN7985 (q.tà 4) e rondelle AET 4,3 (q.tà 4) già incluse nel kit.

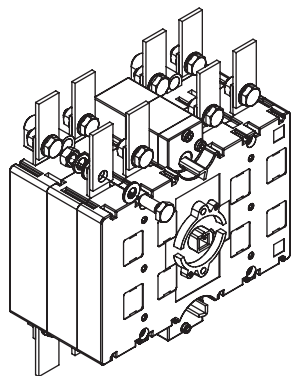


4 - Avvitare l'unità motorizzata [con commutatore e unità motore in posizione 0 (OFF)]. Le viti M5 x 75 DIN 7985 (q.tà 4), le rondelle AET 5,3 (q.tà 4) e i dadi M5 DIN 933 (q.tà 4) sono compresi nel kit.

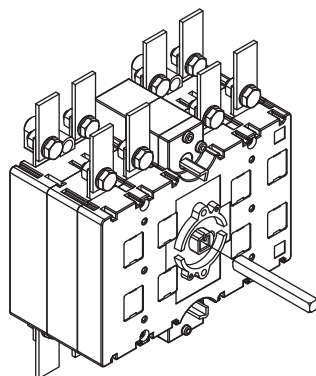


5 - Montare i connettori (CN1, CN2, CN3) ed effettuare i collegamenti sulla base dello schema elettrico (vedere allegato 3, pagina 19).

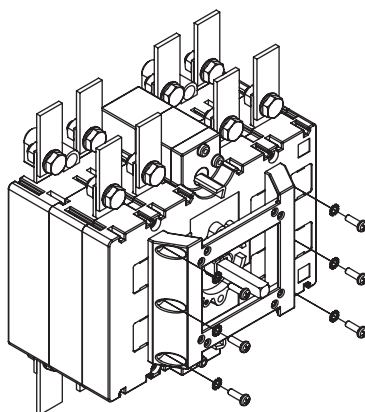




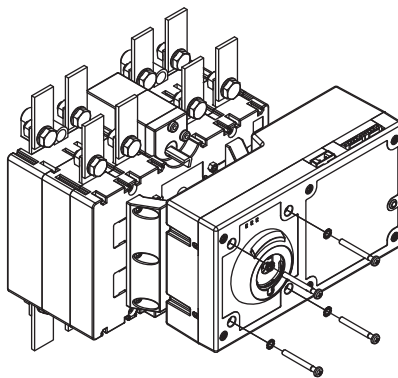
2 - Inserire l'albero di collegamento e fissarlo con una chiave a brugola da 2,5 DIN 90011.



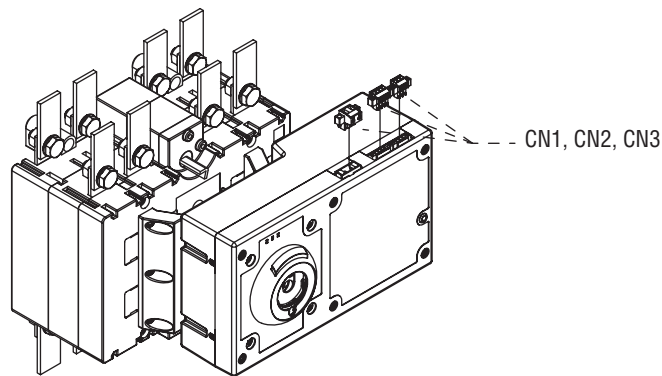
3 - Posizionare l'interfaccia ed avvitarela sul commutatore usando viti M5x15 DIN7985 (q.tà 6) e rondelle AET 5,3 (q.tà 6) già incluse nel kit.



4 - Avvitare l'unità motorizzata [con commutatore e unità motore in posizione 0 (OFF)]. Le viti M5 x 75 DIN 7985 (q.tà 4), le rondelle AET 5,3 (q.tà 4) e i dadi M5 DIN 933 (q.tà 4) sono compresi nel kit.



5 - Montare i connettori (CN1, CN2, CN3) ed effettuare i collegamenti sulla base dello schema elettrico (vedere allegato 3, pagina 19).

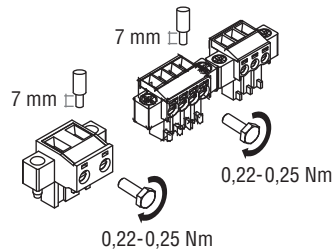


TENSIONE DI ALIMENTAZIONE

Per funzionare il comando motorizzato richiede una tensione di alimentazione (morsetti 1-2). Per far funzionare il comando motorizzato con un gruppo statico di continuità (alimentazione ausiliaria) è responsabilità del cliente preparare un circuito analogo a quello dell'esempio a pag. 19.

In impianti con reti elettriche instabile o con disturbi dovuti a processi di interruzione, un dispositivo di protezione contro le sovratensioni (SPD) di tipo 2/classe II deve essere installato secondo le norme IEC/EN 61643-11.

	Morsetti
	1-2
Sezione massima conduttori	4 mm ² (senza capicorda) 2,5 mm ² (con capicorda)
Sezione minima conduttori	1,5 mm ²



SEGNALI DI INGRESSO

Gli ingressi elettrici indicano al comando motorizzato dove posizionarsi. Gli ingressi possono essere comandati con un contatto senza tensione.

Per azionare il comando motorizzato con un contatto senza tensione si deve chiudere il circuito tra il terminale +5VDC (terminale 7). Se viene applicato un contatto tensionato, il livello di tensione deve essere identico a quello del commutatore, quindi sarà necessario connettere il segnale di massa del comando con il terminale GND1 (pin 3).

Stato di commutazione	Morsetto	5VDC	GND 1
Posizione 0	4	7	3
Posizione I	5	7	3
Posizione II	6	7	3
Sezione massima conduttori	4 mm ² (senza capicorda) 2,5 mm ² (con capicorda)		
Sezione minima conduttori	1,5 mm ²		

SEGNALI DI USCITA

Indicano la modalità di funzionamento (automatica o bloccata) del commutatore. Effettuato tramite un contatto a stato solido. Le uscite possono essere alimentate dalla tensione ausiliaria interna di +5VDC (pin 7) se viene effettuata la connessione tra GND1 e GND2.

Le uscite possono anche essere controllate tramite una fonte di tensione esterna posizionata tra le uscite di posizione e il morsetto di terra (V_{max}=315 Vca/cc, I_{max}=120 mA).

Stato unità motorizzata	Morsetto	+5 VDC	TERRA GND 2
Modalità BLOCCATA	9	7	8
Modalità AUTOMATICA	10	7	8
Capacità massima del cablaggio	4 mm ² (senza alette comp.) 2,5 mm ² (con alette comp.)		
Capacità massima del cablaggio	1,5 mm ²		

I_{max} = 120 mA x morsetto. Alimentazione esterna + terra (GND)

MODALITÀ DI FUNZIONAMENTO

Automatica

Questo è lo stato normale dell'unità e viene attivato quando la maniglia ausiliaria di azionamento manuale o il lucchetto non sono presenti. L'unità risponde solamente a segnali di entrata.

Manuale

Questa modalità viene attivata quando si inserisce e si blocca la maniglia ausiliaria di azionamento manuale nel relativo alloggiamento (anello per maniglia). L'unità può essere azionata unicamente utilizzando la maniglia ausiliaria di azionamento manuale. Gli azionamenti elettrici non sono ammessi.

Bloccata

Questa modalità è attivata quando si estrae il cursore per lucchetto. Gli azionamenti manuali o elettrici non sono ammessi.

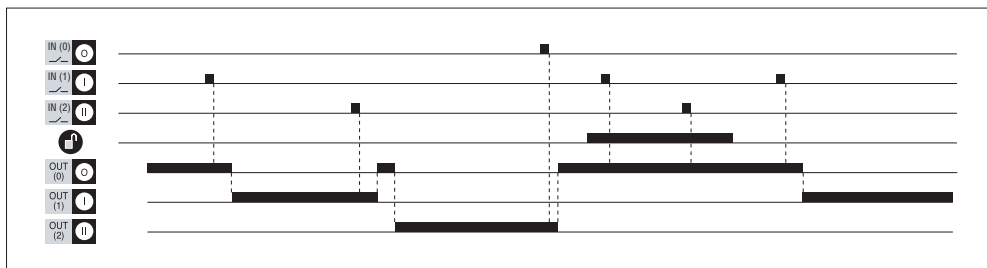
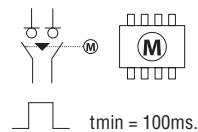
FUNZIONAMENTO AUTOMATICO

In questa modalità l'unità funziona solo sulla base di entrate digitali. **MU** si attiva secondo il primo ordine ricevuto con segnale continuo o a impulsi.

COMANDO MEDIANTE IMPULSO

La sequenza di commutazione si ottiene mediante impulso tra il morsetto comune e i morsetti 4 (posizione 0), 5 (posizione I) e 6 (posizione II). Durata minima dell'impulso 100ms.

Esempio di comando mediante impulso:



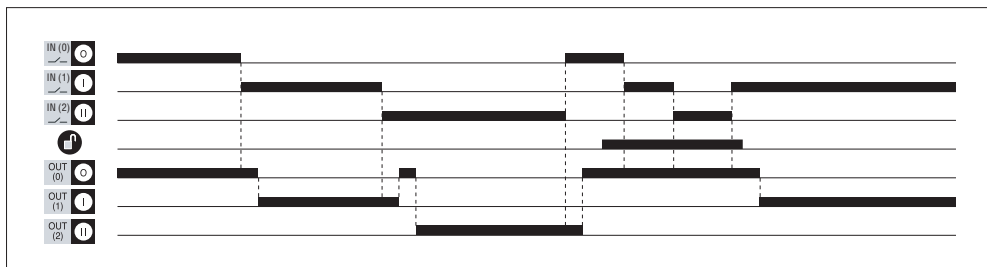
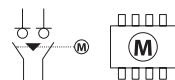
COMANDO MEDIANTE CONTATTO STABILE

La sequenza di commutazione si ottiene mediante contatto stabile tra il morsetto comune e i morsetti 4 (posizione 0), 5 (posizione I) e 6 (posizione II).

Uscite

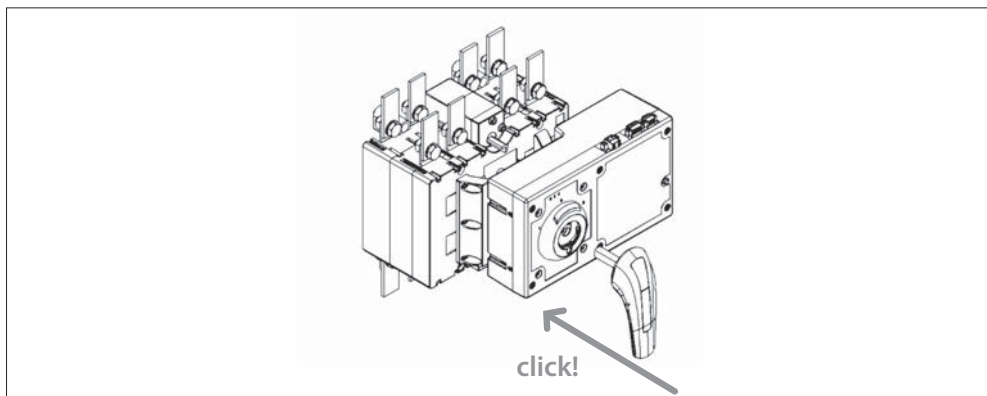
Le uscite (vedi pag. 16) indicano le posizioni del sezionatore commutatore.

Esempio di comando mediante contatto stabile:

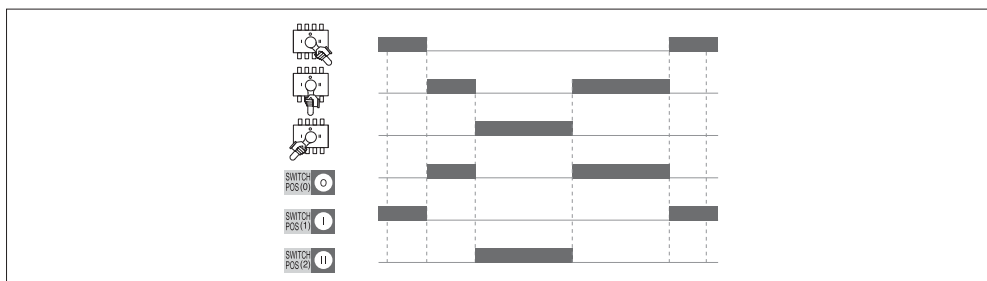


FUNZIONAMENTO MANUALE

Il funzionamento manuale è attivato automaticamente quando si inserisce la maniglia ausiliaria di azionamento manuale all'interno dell'alloggiamento. La maniglia deve essere inserita fino a quando non raggiunge la posizione di bloccaggio.



Una volta bloccata la maniglia l'unità passa al funzionamento manuale ed i movimenti possono essere effettuati unicamente con la maniglia ausiliaria di azionamento manuale.

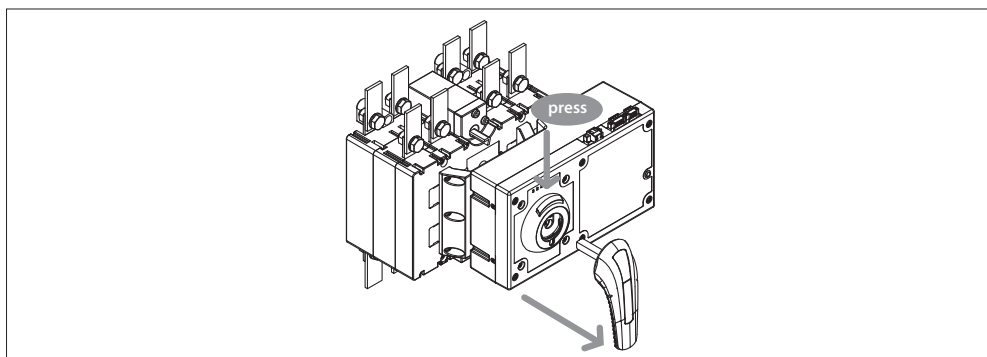


Entrate

In questa modalità non è ammesso il funzionamento automatico. L'unità non risponderà ad alcun segnale elettrico di entrata.

Ritorno al funzionamento automatico

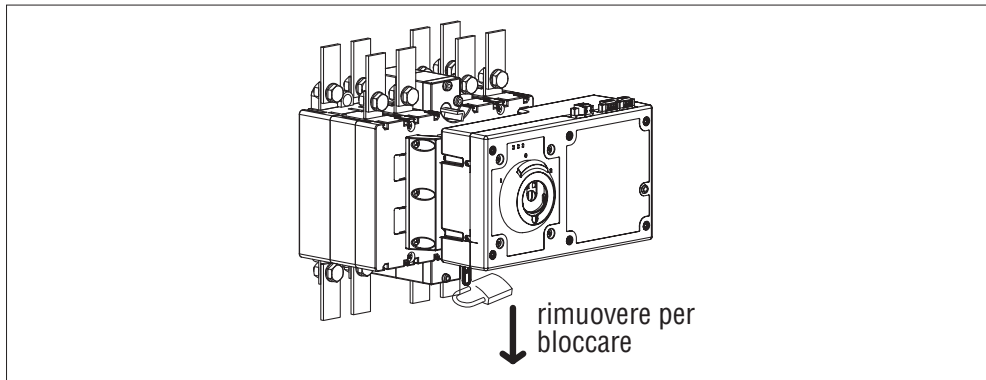
Dopo l'azionamento manuale l'unità torna in modalità AUTOMATICA quando si rilascia e si estrae la maniglia ausiliaria di azionamento manuale. La maniglia si estrae premendo il pulsante grigio sull'anello della maniglia. Una volta premuta, la maniglia si stacca dall'anello.



MODALITÀ BLOCCATA

In questa modalità non sono ammessi né il funzionamento manuale né quello automatico. Questa modalità può essere attivata in due modi:

- Estruendo il cursore con lucchetto
- Inserendo la maniglia ausiliaria per attivazione manuale, passando alla posizione 0 (OFF) e attivando la leva della maniglia lucchettabile.

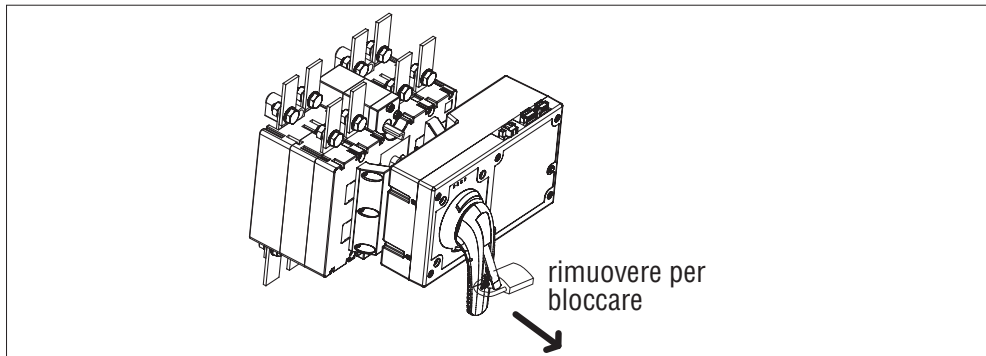


BLOCCAGGIO DELL'UNITÀ TRAMITE ATTIVAZIONE DELLA LEVA LUCCHETTABILE

Questo lucchetto si può trovare in qualsiasi posizione a seconda del punto in cui è stato collocato il commutatore I - 0 - II.

BLOCCAGGIO DELL'UNITÀ TRAMITE LA MANIGLIA AUSILIARIA DI AZIONAMENTO MANUALE

Questo lucchetto può unicamente essere in posizione 0 (OFF), e, una volta bloccata, la maniglia non può essere tolta dalla **MU**.



Il segnale di uscita tra i morsetti 8 e 9 viene attivato solo quando il comando motorizzato è bloccato tramite l'utilizzo della leva lucchettabile.

LED DI ERRORE

La **MU** contiene un LED al suo interno per indicare le eventuali anomalie. Può essere attivato in una qualsiasi delle situazioni seguenti:

- Anomalia dovuta a movimento in posizione bloccata:
L'albero dell'unità si è mosso mentre l'unità si trovava in modalità bloccata.
- Anomalia provocata dal mancato raggiungimento della posizione finale: Il movimento continuo non è stato completato.
- Anomalia dovuta a rottura della frizione: È stato effettuato un movimento dell'albero tramite la maniglia ausiliaria di azionamento manuale mentre lo stato della era AUTO. (vedere allegato 6).

NOTA: Una volta attivato il LED di errore, la **MU** resta bloccata. Lo sblocco della **MU** è possibile unicamente togliendo e riattivando l'alimentazione.

ALLEGATI

Allegato 1: riferimenti commutatore

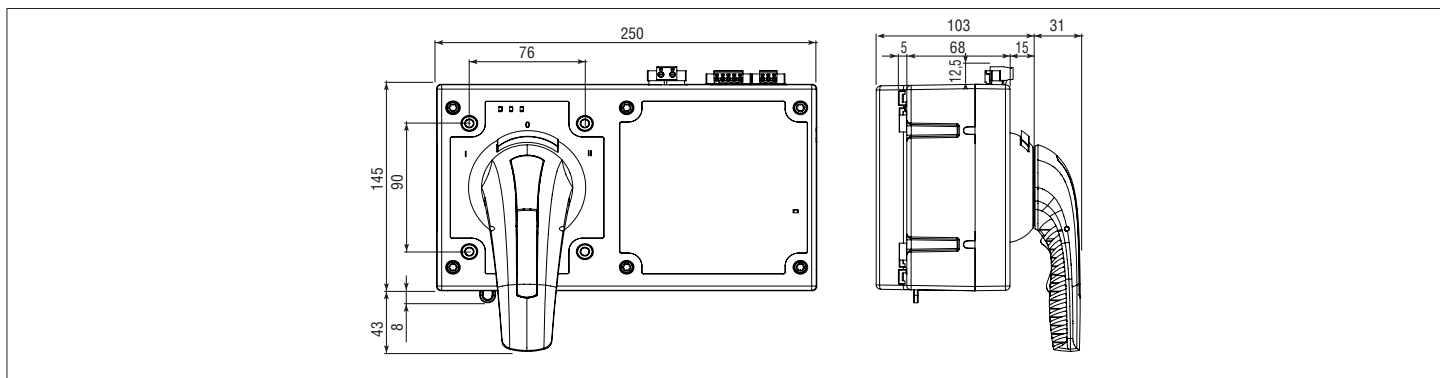
L'intervallo della **MU** disponibile per i commutatori è compreso tra 160 e 800A.
L'alimentazione è 230VAC/DC.

A	Commutatori I - 0 - II	
	3 poli	3 poli + neutro
	Codice	Codice
160	GE0160E	GE0160ET4
200	GE0200E	GE0200ET4
200	GE0201E	GE0201ET4
250	GE0250E	GE0250ET4
315	GE0315E	GE0315ET4
400	GE0400E	GE0400ET4
500	GE0500E	GE0500ET4
630	GE0630E	GE0630ET4
800	GE0800E	GE0800ET4

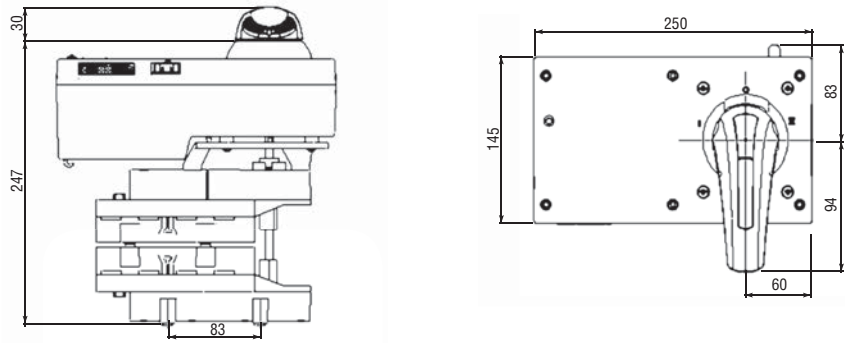
A	Unità motorizzata MU
	230VAC/DC
	Codice
160-200	GEX690C
250-400	GEX691C
500-800	GEX692C

Allegato 2:

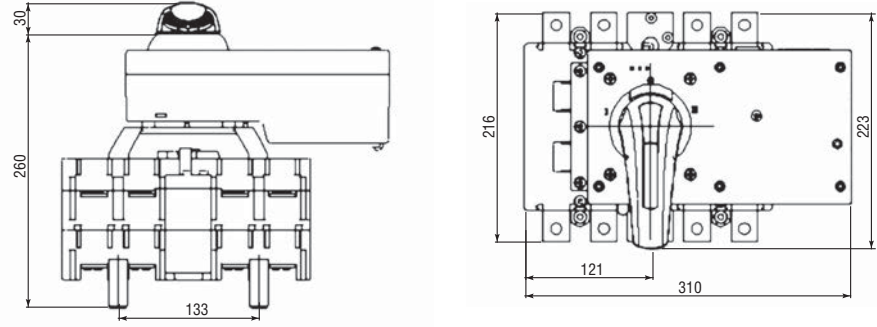
DIMENSIONI (mm)



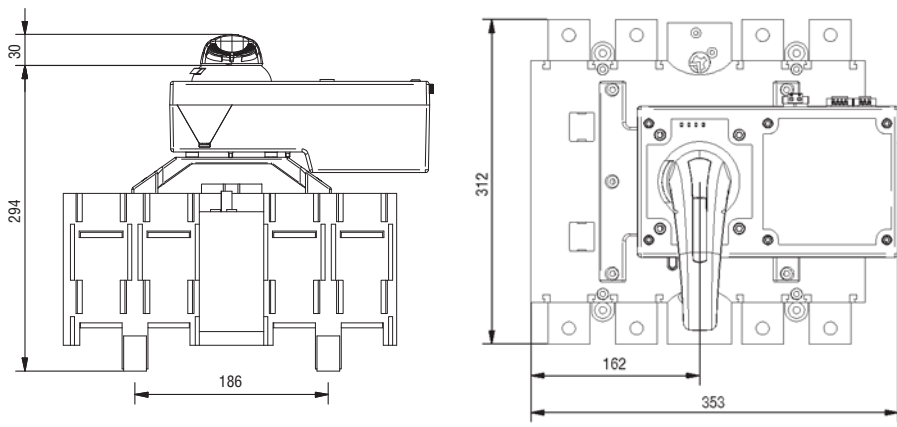
Commutatore
GE0160E/T4 - GE0200E/T4 + GEX690C



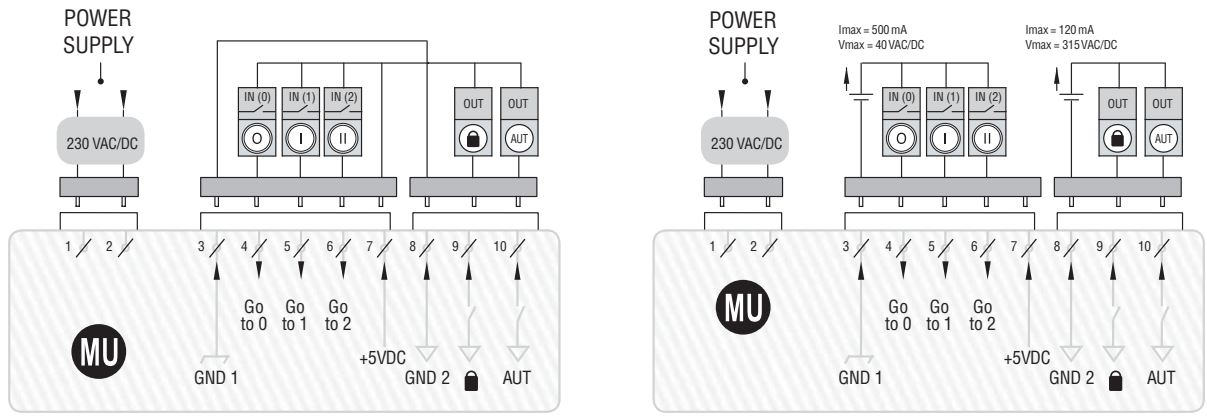
GE0201E/T4 - GE0400E/T4 + GEX691C

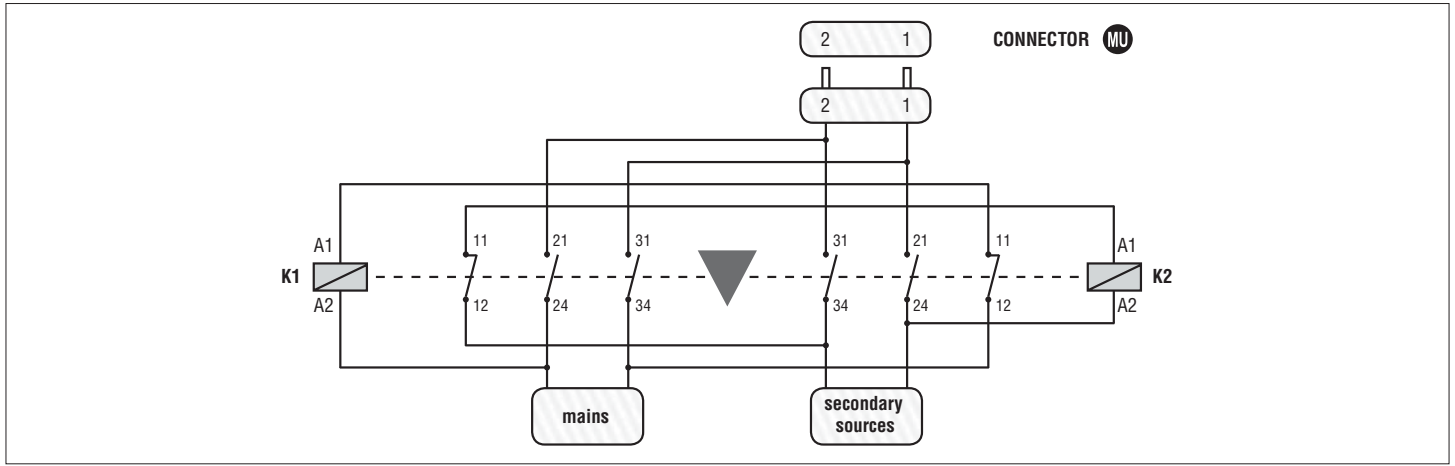


GE0500E/T4 - GE0800E/T4 + GEX692C



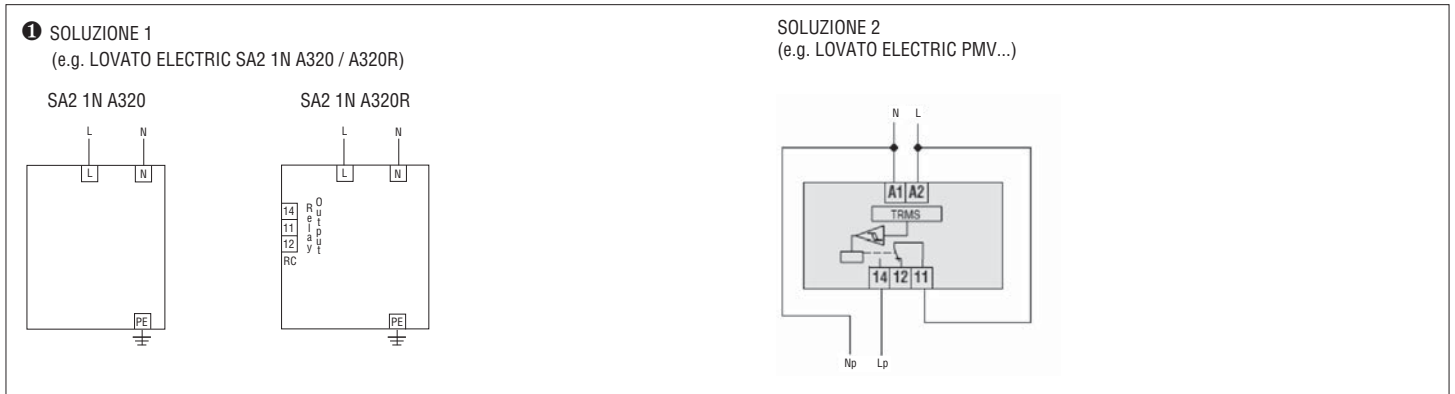
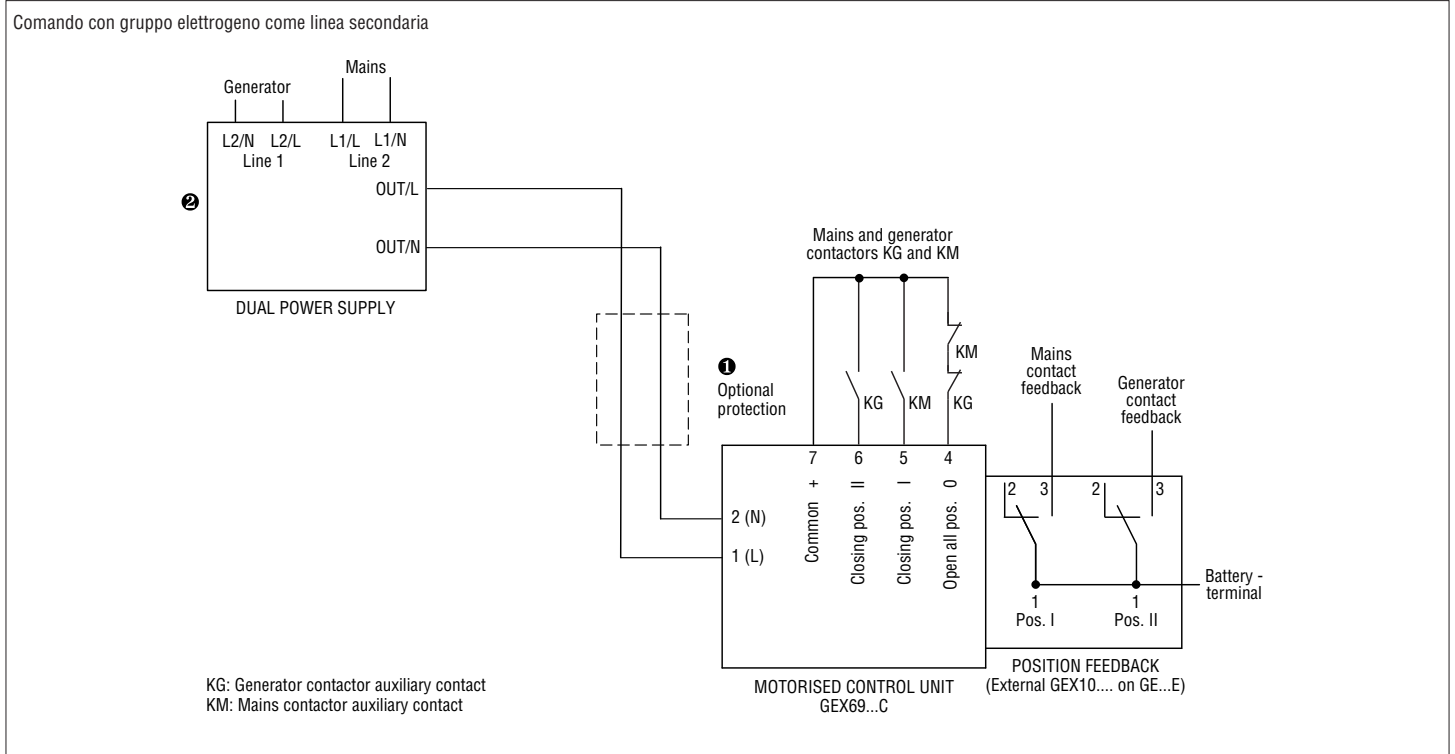
Allegato 3:
SCHEMI ELETTRICI
COMMUTATORE I - 0 - II



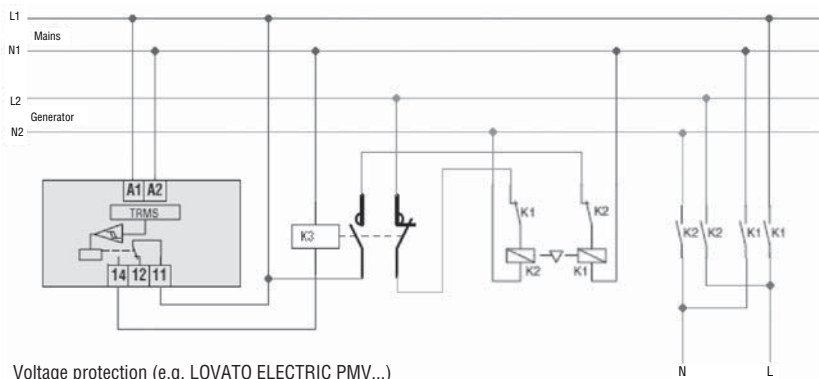


ESEMPIO UTILIZZO GEX69...C CON RGK... LOVATO ELECTRIC

SCHEMA DI COLLEGAMENTO

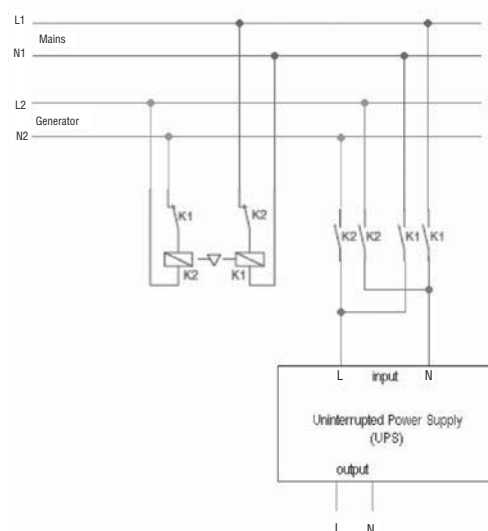


2 DUAL POWER SUPPLY SOLUZIONE 1



Voltage protection (e.g. LOVATO ELECTRIC PMV...)

DUAL POWER SUPPLY SOLUZIONE 2



Allegato 4: tabella delle caratteristiche elettriche

		Commutatore GE0160E/T4 - GE0400E/T4	Commutatore GE0500E/T4 - GE0800E/T4
Coppia di funzionamento	Nm	20	30
Tensione di funzionamento nominale	V	230VAC/DC	230VAC/DC
Intervallo tensione di funzionamento❶	ΔV	da 0,85V a 1,15V	da 0,9V a 1,1V
Intervallo tensione di funzionamento come da IEC 60947-6	ΔV	da 0,95V a 1,10V	da 0,95V a 1,10V
Sezione cavo tensione di alimentazione	mm ²	1,5 - 2,5	1,5 - 2,5
Sezione cavo segnali di entrata	mm ²	0,5 - 1,5	0,5 - 1,5
Sezione di cavo uscite modalità bloccaggio automatico	mm ²	0,5 - 1,5	0,5 - 1,5
Corrente di picco	A	1,1	1,1
Corrente in uso	mA	45	45
Fusibile di protezione❷	A	1	1
Angolo di funzionamento		- 70° / 0° / +70° (I - 0 - II)	- 70° / 0° / +70° (I - 0 - II)
Numero di attivazioni MU	Cicli	10000	5000
Tasso di funzionamento (0 - I - II - 0)	Cicli/ora	120	60
Temperatura di funzionamento		-25°C +55°C	-25°C +55°C
Temperatura di trasporto e stoccaggio		-40°C +70°C	-40°C +70°C
Peso	kg	1,8	1,8

❶ Sulla base di prove effettuate da noi direttamente

❷ Fusibile riferimento F0,5AL250V (Littelfuse)

Pos.	Direzione	Pos.	Tempo di funzionamento
0	→	I	750 ms
I	→	0	750 ms
0	→	II	750 ms
II	→	0	750 ms
I	→	II	1,5 secondi
II	→	I	1,5 secondi

Allegato 5: tabella EMC (compatibilità elettromagnetica)

Immunità					
Prova	Norma	Secondo le norme UNE/EN 61000	Secondo le norme IEC 60947-6	Risultati raggiunti	Valori ottenuti durante le prove
Scariche elettrostatiche	EN 61000-4-2	Speciali, B	Speciali, A	Speciali, A	Sfiato aria $\pm 8kV$ Scarico attrezzature $\pm 4kV$
Campo alta frequenza elettromagnetico	EN 61000-4-3	Livello 3, A	Livello 3, A	Livello 3, A	10V/m da 80 MHz a 1GHz
Transitori rapidi (Burst)	EN 61000-4-4	Livello 3, B	Livello 3, A	Livello 4, A	Frequenza alimentazione $\pm 4kV$ Rep. 2,5kHz Frequenza alimentazione segnale $\pm 2kV$ Rep 5kHz
Transitorio rapido (scarico sovracorrente)	EN 61000-4-5	Livello 3, B	Livello 3, A	Speciali, A	Alimentazione $\pm 4kV$ L1-L2 Impedenza generatore 2Ω (onda 1,2/50ms)
Disturbi condotti	EN 61000-4-6	Livello 3, A	Livello 3, A	Livello 3, A	Alimentazione e segnale 10V
Campo elettromagnetico, frequenza industriale	EN 61000-4-8	Livello 4, A	—	Livello 4, A	Intensità campo 30A/m
Sbalzi di tensione, interruzioni e variazioni di tensione	EN 61000-4-11	Criterio B	—	Criterio A	30% Un - 1000 ms
		Criterio C	—	Criterio A	60% Un - 1000 ms
		Criterio C	—	Criterio B	95% Un - 5000 ms

Emissioni					
Prova	Norma	Secondo le norme UNE/EN 61000	Secondo le norme IEC 60947-6	Risultati raggiunti	Valori ottenuti durante le prove
Emissione di corrente armonica	EN 61000-3-2	Livello 3	Livello 3	Livello 3	Corrente totale 0,02A (modalità manuale) Corrente totale 0,04A (modalità automatica)
Tensione indesiderata	EN 55011	Livello 3	Livello 3	Livello 3	Qualificati
Emissioni irradiate	N 55011	Livello 3	Livello 3	Livello 3	Qualificati

NOTA: Il montaggio di questo dispositivo all'interno di edifici ad uso abitativo può provocare interferenze alle frequenze radio

La norma EN 61000 è equivalente alla IEC 61000 - la norma EN 55011 è equivalente alla CISPR11

CRITERIO A: Funzionamento normale entro determinati limiti

CRITERIO B: Modifica transitoria del funzionamento. Il dispositivo torna al funzionamento normale senza intervento dell'operatore

CRITERIO C: temporanea perdita di funzione o degradazione di prestazione, la cui correzione richiede l'intervento dell'operatore

Prova livello 3: Ambiente industriale tipico, senza disposizioni speciali di montaggio

Prova livello 4: Ambiente industriale gravoso

Livello speciale: Ambiente avente maggiori interferenze elettromagnetiche


Allegato 6: tabella di diagnosi

Sintomo	Causa possibile	Azione consigliata
Una volta montata la MU nel primo funzionamento automatico l'unità non cambia la propria posizione e il LED di errore si accende	La MU non è stata montata mettendo l'interruttore o il commutatore in posizione "0"	Smontare l'unità. Spostare l'interruttore o il commutatore in posizione "0". Rimontare l'unità e ripetere la manovra
La MU non funziona e il LED di errore resta spento	Tensione di alimentazione al di fuori delle specifiche Il cablaggio ai segnali di entrata è danneggiato	Utilizzare un multimetro per controllare la tensione tra i morsetti 1 e 2 della MU . La tensione deve rientrare all'interno della gamma indicata (vedere allegato 5, pagina 13) Controllare la continuità del cablaggio dal telecomando alla MU
La MU non funziona in base ai segnali di entrata; non sono stati utilizzati né il cursore per lucchetto né la maniglia ausiliaria di azionamento manuale. LED di errore acceso	Fusibile di alimentazione bruciato	Controllare il fusibile con un multimetro Se il fusibile è bruciato, sostituirlo con uno nuovo, avente le stesse caratteristiche (vedere allegato 5, pagina 13)
Dopo avere inserito e rilasciato la maniglia ausiliaria di azionamento manuale, la MU non funziona in base ai segnali di entrata. Il LED di errore resta spento	La frizione della maniglia ausiliaria di azionamento manuale non è stata rimessa in posizione superiore.	Inserire nuovamente la maniglia ausiliaria di azionamento manuale e controllare se durante l'estrazione viene automaticamente spinta all'esterno dalla frizione. Utilizzare un multimetro per verificare che l'uscita tra i morsetti 7 e 9 sia chiusa (modalità AUTO attiva)
È stata variata la posizione dell'interruttore o del commutatore utilizzando la maniglia ausiliaria di azionamento manuale; una volta rilasciata la maniglia la MU non funziona in base ai segnali di entrata. Il LED di errore resta spento	La frizione della maniglia ausiliaria di azionamento manuale non è stata rimessa in posizione superiore.	Inserire nuovamente la maniglia ausiliaria di azionamento manuale e controllare se durante l'estrazione viene automaticamente spinta all'esterno dalla frizione. Utilizzare un multimetro per verificare che l'uscita tra i morsetti 7 e 9 sia chiusa (modalità AUTO attiva)
È stata variata la posizione dell'interruttore o del commutatore utilizzando la maniglia ausiliaria di azionamento manuale; una volta rilasciata la maniglia la MU non funziona in base ai segnali di entrata. LED di errore acceso	Mancata corrispondenza tra la posizione della MU e la posizione dell'interruttore o del commutatore; non può essere risolta tramite il controllo logico della MU .	Inserire nuovamente la maniglia ausiliaria di azionamento manuale e rimettere l'interruttore o il commutatore nella posizione nella quale si trovava prima dell'anomalia. Una volta rilasciata la maniglia controllare che il funzionamento AUTO sia stato ristabilito.

NOTA: Una volta attivato il LED di errore, la **MU** resta bloccata. Lo sblocco della **MU** è possibile unicamente togliendo e riattivando l'alimentazione.

NORME

- IEC/EN 60947-1 e 3. Apparecchiature a bassa tensione. Parte generale e interruttore - sezionatori.
- IEC/EN/UNE 61000-6, Parti 2 e 4. Compatibilità elettromagnetica in ambienti industriali, immunità e emissioni.
- Secondo la Norma Europea 2006/95/CE per la bassa tensione.
- Secondo la Norma Europea 2004/108/CE di EMC (compatibilità elettromagnetica).

Questo prodotto è certificato 

NOTA: Il contenuto di questo documento può essere modificato senza alcun tipo di preavviso.



LOVATO ELECTRIC S.P.A.

24020 GORLE (BERGAMO) ITALIA
VIA DON E. MAZZA, 12
TEL. 035 4282111
FAX (Nazionale): 035 4282200
FAX (International): +39 035 4282400
E-mail info@LovatoElectric.com
Web www.LovatoElectric.com



D ANSTEUERUNG MIT MOTORANTRIEB

GEX69...C



WARNING!

- This equipment is to be installed by qualified personnel, complying to current standards, to avoid damages or safety hazards.
- The manufacturer cannot be held responsible for electrical safety in case of improper use of the equipment.
- Products illustrated herein are subject to alteration and changes without prior notice. Technical data and descriptions in the documentation are accurate, to the best of our knowledge, but no liabilities for errors, omissions or contingencies arising there from are accepted.



ATTENTION !

- Ces appareils doivent être installés par un personnel qualifié, conformément aux normes en vigueur en matière d'installations, afin d'éviter de causer des dommages à des personnes ou choses.
- Le constructeur n'assume aucune responsabilité quant à la sécurité électrique en cas d'utilisation impropre du dispositif.
- Les produits décrits dans ce document sont susceptibles d'évoluer ou de subir des modifications à n'importe quel moment. Les descriptions et caractéristiques techniques du catalogue ne peuvent donc avoir aucune valeur contractuelle.



ACHTUNG!

- Zur Vermeidung von Personen- und Sachschäden dürfen diese Geräte nur von qualifiziertem Fachpersonal und unter Befolgung der einschlägigen Vorschriften installiert werden.
- Bei zweckwidrigem Gebrauch der Vorrichtung übernimmt der Hersteller keine Haftung für die elektrische Sicherheit.
- Die in dieser Broschüre beschriebenen Produkte können jederzeit weiterentwickelt und geändert werden. Die im Katalog enthaltenen Beschreibungen und Daten sind daher unverbindlich und ohne Gewähr.



ADVERTENCIA

- Este dispositivo debe ser instalado por personal cualificado conforme a la normativa de instalación vigente a fin de evitar daños personales o materiales.
- El fabricante no se responsabilizará de la seguridad eléctrica en caso de que el dispositivo no se utilice de forma adecuada.
- Los productos descritos en este documento se pueden actualizar o modificar en cualquier momento. Por consiguiente, las descripciones y los datos técnicos aquí contenidos no tienen valor contractual.



UPOZORNĚNÍ

- Tato zařízení smí instalovat kvalifikovaní pracovníci v souladu s platnými předpisy a normami pro předcházení úrazů osob či poškození věcí.
- Výrobce nenese odpovědnost za elektrickou bezpečnost v případě nevhodného používání regulátoru.
- Výrobky popsané v tomto dokumentu mohou kdykoli projít úpravami či dalším vývojem. Popisy a údaje uvedené v katalogu nemají proto žádnou smluvní hodnotu.



AVERTIZARE!

- Acest echipament va fi instalat de personal calificat, în conformitate cu standardele actuale, pentru a evita deteriorări sau pericolele.
- Producătorul nu poate fi considerat responsabil pentru siguranța electrică în caz de utilizare incorectă a echipamentului.
- Produsele ilustrate în prezentul sunt supuse modificărilor și schimbărilor fără notificare anterioară. Datele tehnice și descrierile din documentație sunt precise, în măsura cunoștințelor noastre, dar nu se acceptă nicio răspundere pentru erorile, omisiunile sau evenimentele neprevăzute care apar ca urmare a acestora.



Hinweise zur Sicherheit

Bei der Installation und dem Betrieb der Ansteuerung mit Motorantrieb sind folgende Hinweise zu beachten.

- Stellen Sie sicher, dass die Spannung der Ansteuerung mit Motorantrieb der vorgesehenen Betriebsspannung entspricht und dass die Ansteuerung mit Motorantrieb für das Schaltgerät geeignet ist, das man ansteuern will (siehe Seite 9).
- Vor der Installation immer sicherstellen, dass sowohl das Schaltgerät als auch die Ansteuerung mit Motorantrieb auf 0 (OFF) stehen.
- Immer sehr genau die Anweisungen für die Installation und die Schaltpläne für den Anschluss beachten.
- Die Ansteuerung mit Motorantrieb muss vor der Betätigung auf das Schaltgerät installiert werden.
- Die Stromzufuhr erst aktivieren, nachdem alle Verkabelungsarbeiten abgeschlossen sind.
- Dieses Modul nicht ausbauen, reparieren oder verändern, da dies Schäden oder elektrische Entladungen verursachen könnte.
- Die Spannungszufuhr nicht aktivieren bzw. die Ansteuerung mit Motorantrieb nicht anschließen, falls irgend eine Komponente beschädigt ist.
- Immer eventuelle Spannungsausfälle der Versorgungsleitung berücksichtigen.
- Lovato Electric haftet nicht für eventuelle unsachgemäße Einsätze der Ansteuerung mit Motorantrieb oder für eventuelle Fehlinterpretationen der in dieser Anleitung enthaltenen Angaben.
- Bei der Installation dieser Vorrichtung in privaten Haushalten könnte es unter Umständen zu Funkstörungen kommen.
- Handelt es sich bei der Ersatzstromversorgung des Schaltgeräts um ein Stromaggregat, sicherstellen, dass das Stromaggregat nach der Umschaltung der Quelle (t > 1 min) ausgeschaltet (Off) wird.
- Bei Anlagen mit instabilen elektrischen Netzwerken oder Störungen aufgrund von Unterbrechungen, muss eine Schutzvorrichtung gegen Überspannungen (SPD) Typ 2/Klasse II gemäß der Vorschriften der Normen IEC/EN 61643-11 installiert werden.

KONTROLLE DER ZUM KIT GEHÖRENDE KOMPONENTEN

Pri/Vor der Montage der Einheit sicherstellen, dass folgende Komponenten im Karton enthalten sind:

- Einheit mit Motorantrieb **MU**.
- Plastikbeutel mit Schrauben für die Befestigung der Einheit mit Motorantrieb am Schaltgerät mit elektrischen Steckern.
- Verbindungswelle
- Zusätzlicher Griff für die manuelle direkte Betätigung.
- Schnittstelle (nur Schaltung).

BETRIEBSANLEITUNGEN ZUM PRODUKT

SCHALTER I - 0 - II

A - Versorgung **MU**

B - Eingangssignale

C - Ausgangssignale

D - PositionsLED:

Schalter 0 - I - II

E - Cursor für Schloss

G - Fehler LED

ATTENZIONE!

- Questi apparecchi devono essere installati da personale qualificato, nel rispetto delle vigenti normative impiantistiche, allo scopo di evitare danni a persone o cose.
- Il costruttore non si assume responsabilità in merito alla sicurezza elettrica in caso di utilizzo improprio del dispositivo.
- I prodotti descritti in questo documento sono suscettibili in qualsiasi momento di evoluzioni o di modifiche. Le descrizioni ed i dati a catalogo non possono pertanto avere alcun valore contrattuale.



UWAGA!

- W celu uniknięcia obrażeń osób lub uszkodzenia mienia tego typu urządzenia muszą być instalowane przez wykwalifikowany personel, zgodnie z obowiązującymi przepisami.
- Producent nie przyjmuje na siebie odpowiedzialności za bezpieczeństwo elektryczne w przypadku niewłaściwego użytkowania urządzenia.
- Produkty opisane w niniejszym dokumencie mogą być w każdej chwili udoskonalone lub zmodyfikowane. Opisy oraz dane katalogowe nie mogą mieć w związku z tym żadnej wartości umownej.



警告!

- 本设备只能由合格人员根据现行标准进行安装，以避免造成损坏或安全危害。
- 制造商不负责因设备使用不当导致的电气安全问题。
- 此处说明的产品可能会有变更，恕不提前通知。我们竭力确保本文件中技术数据和说明的准确性，但对于错误、遗漏或由此产生的意外事件概不负责。



ПРЕДУПРЕЖДЕНИЕ!

- Во избежание травм или материального ущерба монтаж должен осуществляться только квалифицированным персоналом в соответствии с действующими нормативами.
- Производитель не несет ответственность за обеспечение электробезопасности в случае ненадлежащего использования устройства.
- Изделия, описанные в настоящем документе, в любой момент могут подвергнуться изменениям или усовершенствованиям. Поэтому каталожные данные и описания не могут рассматриваться как действительные с точки зрения контрактов.



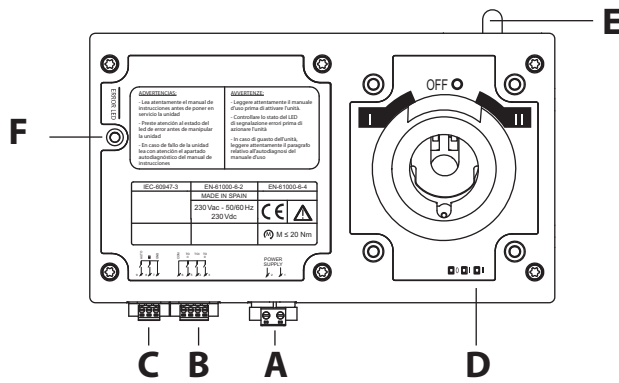
DIKKATI!

- Bu aparatlar kişilere veya nesnelere zarar verme ihtimaline karşı yürürlükte olan sistem kurma normlarına göre kalifiye personel tarafından monte edilmelidir.
- Üretici aparatın hatalı kullanımlardan kaynaklanan elektriksel güvenliğe ait sorumluluk kabul etmez.
- Bu dokümanda tarif edilen ürünler her an evrimlere veya değişimlere açıktır. Bu sebeple katalogdaki tarif ve değerler herhangi bir bağlayıcı değeri haiz değildir.

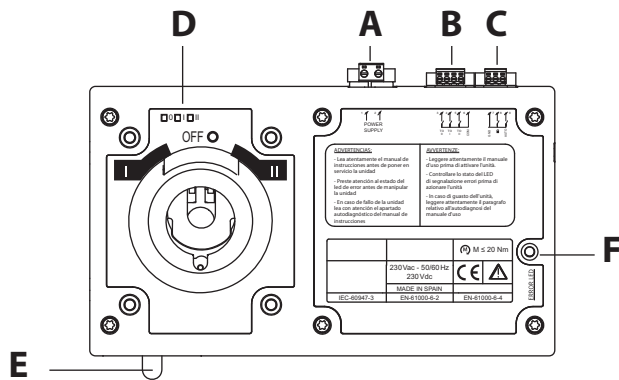


ANMERKUNG: Der Inhalt dieses Dokuments kann jederzeit ohne Vorankündigungspflicht verändert werden.

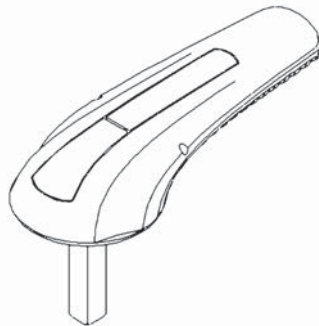
SCHALTGERÄT GE0160E/T4 - GE0200E/T4



SCHALTGERÄT GE0201E/T4 - GE0800E/T4



ZUSÄTZLICHER GRIFF FÜR DIE MANUELLE DIREKTE BETÄTIGUNG
Für Wartungsarbeiten oder Notbetätigungen.



INSTALLIERUNG/MONTAGE

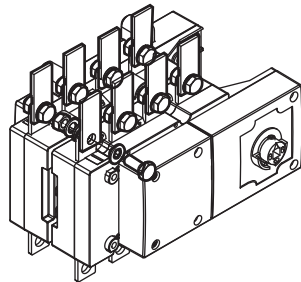
Stellen Sie sicher, dass die Spannung der Ansteuerung mit Motorantrieb der vorgesehenen Betriebsspannung entspricht und dass die Ansteuerung mit Motorantrieb für das Schaltgerät geeignet ist, das man ansteuern will (siehe Seite 29).

Vor der Installation immer sicherstellen, dass sowohl das Schaltgerät als auch die Ansteuerung mit Motorantrieb auf 0 (OFF) stehen.

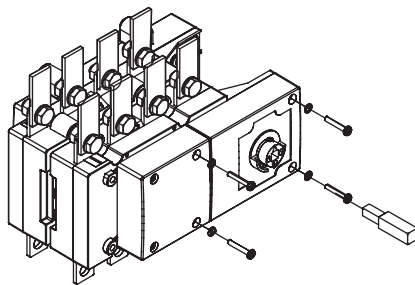
Die Ansteuerung mit Motorantrieb muss vor der Inbetriebnahme unter Berücksichtigung der folgenden Angaben auf das Schaltgerät installiert werden.

FÜR SCHALTGERÄT GE0160E/T4 - GE0200E/T4

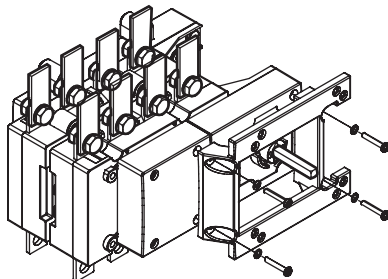
1 - Das Schaltgerät anbringen, die Schranken befestigen und den gemeinsamen Ausgang anschließen.



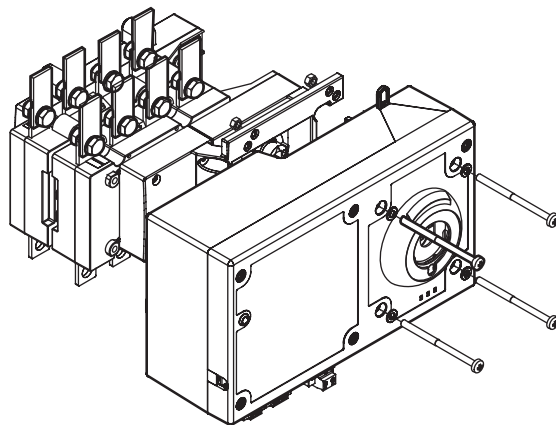
2 - Die Verbindungswelle einbauen und mit einem Inbusschlüssel 2,5 DIN 90011 befestigen. Ohne den vorderen Deckel abzunehmen, die vier in der Abbildung gezeigten Schrauben ausbauen.



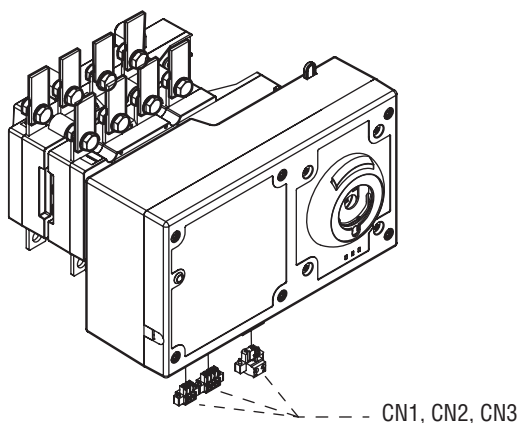
3 - Die Schnittstelle korrekt ausrichten und mit den zum Kit gehörenden Schrauben M3.5x30 DIN7985 (4 Stk.) und Unterlegscheiben AET 4,3 (4 Stk.) am Schaltgerät befestigen.



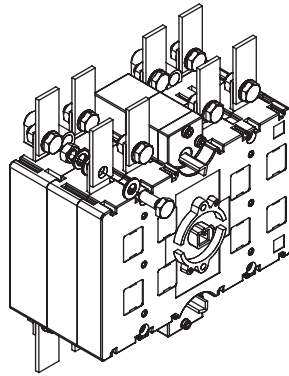
4 - Die Einheit mit Antrieb [mit Schaltgerät und Motor in Position 0 (OFF)] aufschrauben. Die Schrauben M5 x 75 DIN 7985 (4 Stk.), die Zwischenlegscheiben AET 5,3 (4 Stk.) und die Muttern M5 DIN 933 (4 Stk.) sind im Kit enthalten.



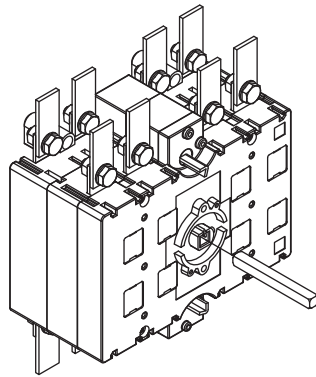
5 - Die Stecker (CN1, CN2, CN3) einbauen die Anschlüsse gemäß Schaltplan durchführen (siehe Anlage 3, Seite 30).



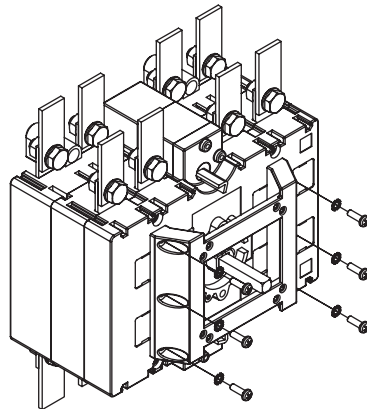
1 - Das Schaltgerät anbringen und die Schranken befestigen.



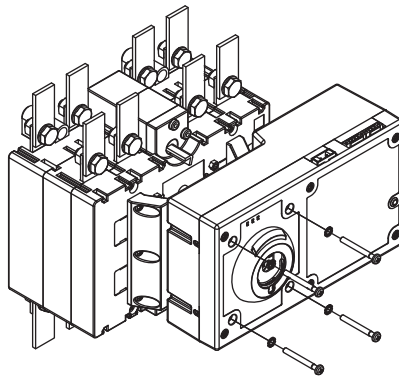
2 - Die Verbindungswelle einbauen und mit einem Inbusschlüssel 2,5 DIN 90011 befestigen.



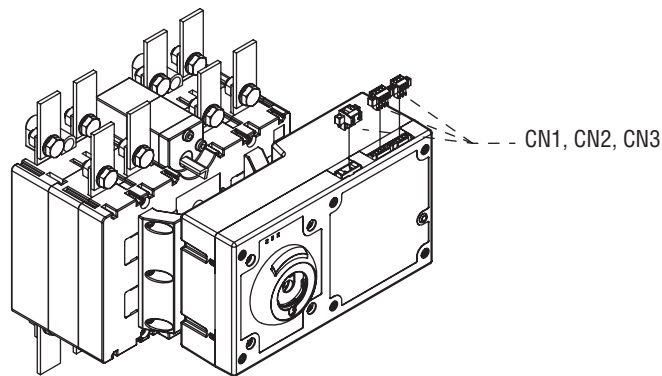
3 - Die Schnittstelle korrekt ausrichten und mit den zum Kit gehörenden Schrauben M5x15 DIN7985 (6 Stk.) und Unterlegscheiben AET 5,3 (6 Stk.) am Schaltgerät befestigen.



4 - Die Einheit mit Antrieb [mit Schaltgerät und Motor in Position 0 (OFF)] aufschrauben. Die Schrauben M5 x 75 DIN 7985 (4 Stk.), die Zwischenlegscheiben AET 5,3 (4 Stk.) und die Muttern M5 DIN 933 (4 Stk.) sind im Kit enthalten.



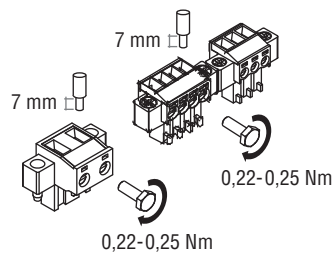
5 - Die Stecker (CN1, CN2, CN3) einbauen die Anschlüsse gemäß Schaltplan durchführen (siehe Anlage 3, Seite 30).



VERSORGUNGSSPANNUNG

Für den Betrieb braucht die Ansteuerung mit Motorantrieb eine Versorgungsspannung (Klemmen 1-2). Die Ansteuerung mit Motorantrieb mit einer USV (Hilfsversorgung) ist kundenseitig gemäß des im Beispiel auf Seite 30 dargestellten Kreislaufs auf eigene Verantwortung zu stellen. Bei Anlagen mit instabilen elektrischen Netzwerken oder Störungen aufgrund von Unterbrechungen, muss eine Schutzvorrichtung gegen Überspannungen (SPD) Typ 2/Klasse II gemäß der Vorschriften der Normen IEC/EN 61643-11 installiert werden.

	Klemmen
	1-2
Max. Leiterquerschnitt	4 mm ² (ohne Kabelschuhe) 2,5 mm ² (mit Kabelschuhen)
Min. Leiterquerschnitt	1,5 mm ²



INGANGSSIGNALE

Die elektrischen Eingangssignale geben der Ansteuerung mit Motorantrieb vor, wo sie sich positionieren soll. Die Eingänge können mit einem Spannungslosen Kontakt angesteuert werden. Für die Betätigung der Ansteuerung mit Motorantrieb mit einem spannungslosen Kontakt, muss der Kreislauf zwischen dem Terminal +5Vdc (Terminal 7) geschlossen werden. Wird ein unter Spannung stehender Kontakt angelegt, muss das Spannungsniveau jenem des Umschalters entsprechen. Dann muss das Massesignal der Steuerung mit der Klemme GND1 (Pin 3) verbunden werden.

Schaltzustand	Klemme	5VDC	GND 1
Position 0	4	7	3
Position I	5	7	3
Position II	6	7	3
Max. Leiterquerschnitt	4 mm ² (ohne Kabelschuhe) 2,5 mm ² (mit Kabelschuhen)		
Min. Leiterquerschnitt	1,5 mm ²		

AUSGANGSSIGNALE

Sie zeigen die Betriebsart des Schaltgeräts an (automatisch oder blockiert). Mittels Kontakt im festen Zustand. Die Ausgänge können von der internen Hilfsspannung mit +5VDC (Pin 7) versorgt werden, wenn der Anschluss zwischen GND1 und GND2 erfolgt. Die Ausgänge können auch über eine externe Spannungsquelle kontrolliert werden, die zwischen den Positionsausgängen und der Erdleiterquelle angeordnet sind ($V_{max}=315 \text{ Vac/dc}$, $I_{max}=120 \text{ mA}$).

Status der Einheit mit Antrieb	Klemme	+5 VDC	GND 2
Betriebsart BLOCKIERT	9	7	8
Betriebsart AUTOMATISCH	10	7	8
Max. Leistung der Verkabelung	4 mm ² (ohne komp. Flügel) 2,5 mm ² (mit komp. Flügeln)		
Max. Leistung der Verkabelung	1,5 mm ²		

$I_{max} = 120 \text{ mA} \times \text{Klemme. Außenversorgung} + \text{Erdleiter (GND)}$

BETRIEBSART

Automatisch

Es handelt sich um den normalen Zustand der Einheit, der aktiviert wird, wenn der zusätzliche manuelle Betätigungsgriff oder das Schloss nicht vorhanden sind. Die Einheit reagiert nur auf die Eingangssignale.

Manuell

Diese Betriebsart wird aktiviert, wenn der zusätzliche Griff im entsprechenden Gehäuse eingeschaltet und blockiert wird (Ring für Griff). Die Einheit kann nur über den zusätzlichen Griff für die manuelle Betätigung geschaltet werden. Elektrische Betätigungen sind nicht erlaubt.

Blockiert

Diese Betriebsart wird aktiviert, wenn der Cursor für das Schloss ausgezogen wird. Manuelle oder elektrische Betätigungen sind nicht erlaubt.

AUTOMATISCHER BETRIEB

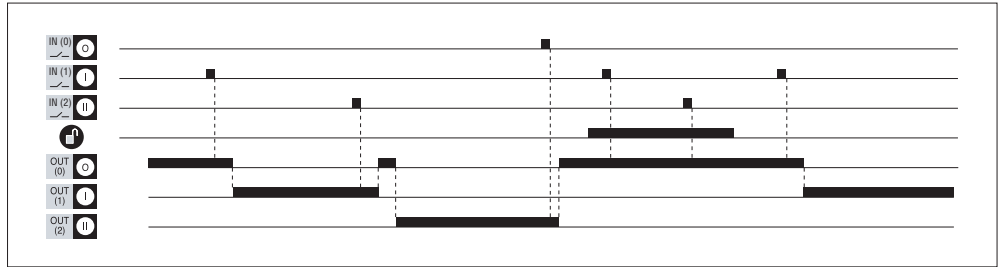
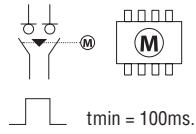
Bei dieser Betriebsart funktioniert die Einheit nur bei digitalen Eingängen.

MU es wird nur nach der ersten empfangenen Ansteuerung mit kontinuierlichem oder Impulssignal aktiviert.

ANSTEUERUNG MITTELS IMPULSE

Die Schaltsequenz erreicht man mittels Impuls zwischen der gemeinsamen Klemme und den Klemmen 4 (Position 0), 5 (Position I) und 6 (Position II).
Mindestdauer des Impulses 100 ms.

Beispiel für eine Impulsansteuerung:



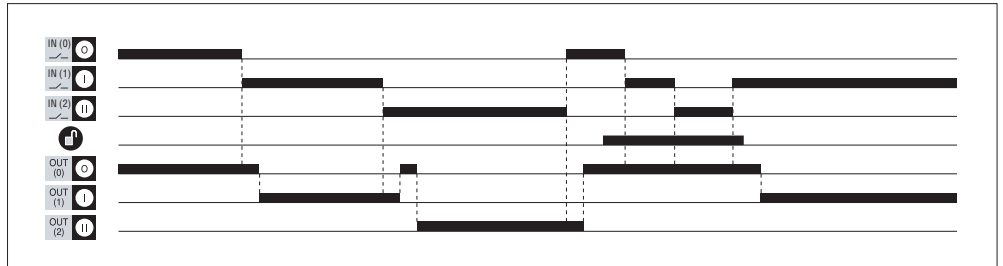
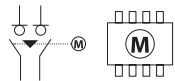
ANSTEUERUNG MITTELS STABILEN KONTAKTS

Die Schaltsequenz erreicht man mittels stabilen Kontakts zwischen der gemeinsamen Klemme und den Klemmen 4 (Position 0), 5 (Position I) und 6 (Position II).

Ausgänge

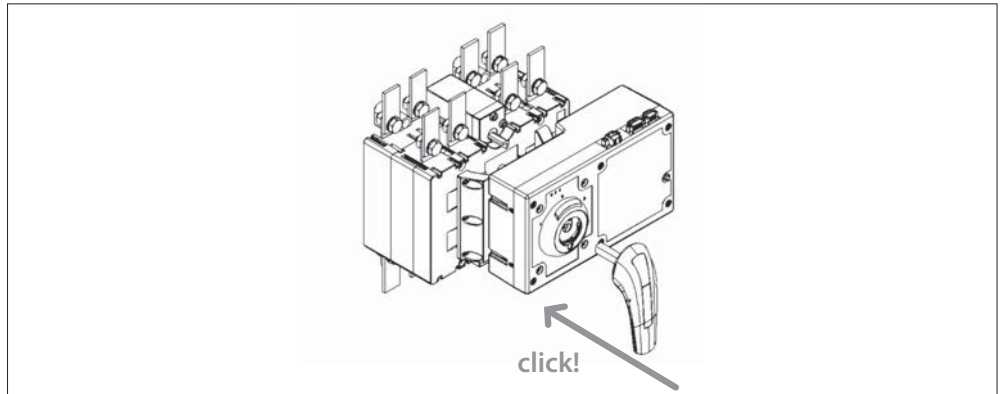
Die Ausgänge (siehe Seite 27) melden die Positionen des Trennschalters.

Beispiel für eine Ansteuerung mittels stabilen Kontakts:

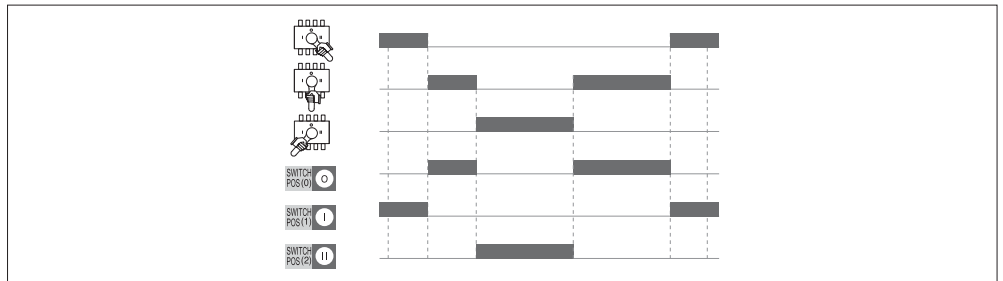


MANUELLER BETRIEB

Der manuelle Betrieb wird automatisch aktiviert, wenn der zusätzliche Griff für die manuelle Ansteuerung im Gehäuse eingeschaltet wird.
Der Griff muss soweit eingeführt werden, bis die Blockierung erfolgt.



Nachdem der Griff blockiert ist, schaltet die Einheit in den manuellen Betrieb und die Bewegungen können nur noch über den zusätzlichen Griff für die manuelle Ansteuerung erfolgen



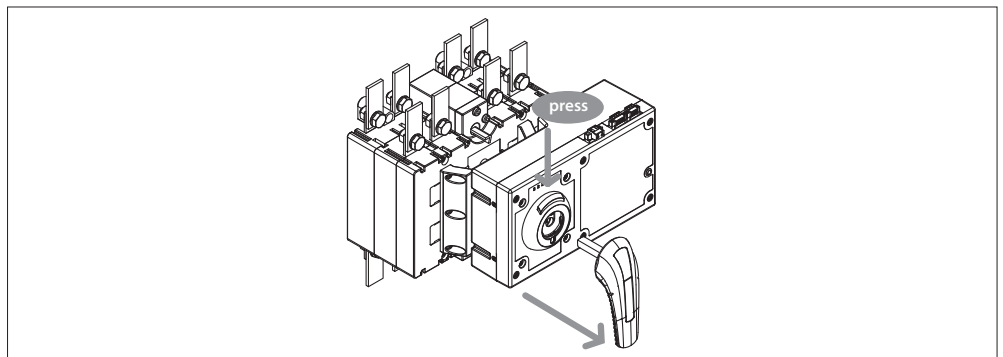
Eingänge

In dieser Betriebsart ist der Automatikbetrieb nicht gestattet. Die Einheit reagiert auf kein elektrisches Eingangssignal.

Rückkehr zum Automatikbetrieb

Nach der manuellen Betätigung, kehrt die Einheit zum AUTOMATIK-Betrieb zurück, wenn man den zusätzlichen Griff für die manuelle Betätigung los lässt und heraus nimmt.

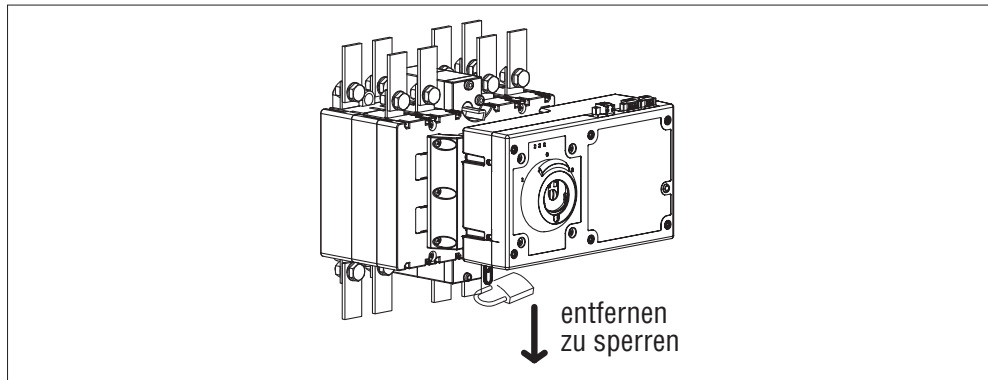
Um den Griff auszubauen, muss man die graue Taste am Ring des Hebels drücken. Beim Druck auf den Griff, löst er sich vom Ring.



BLOCKIERTER BETRIEB

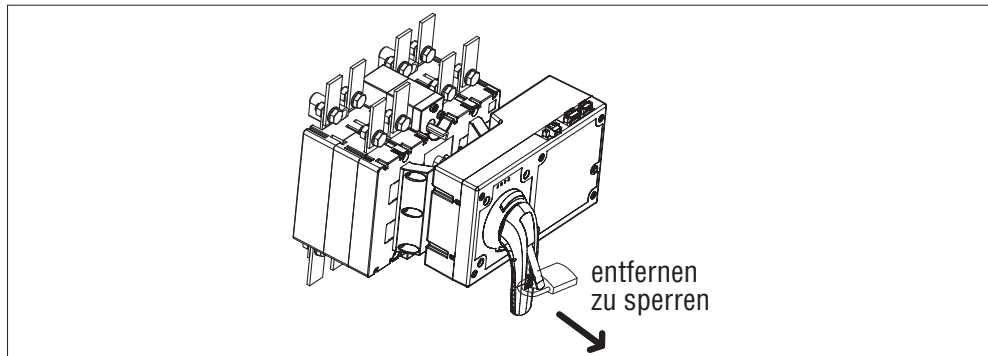
In dieser Betriebsart sind weder der Manuell- noch der Automatikbetrieb zugelassen. Diese Betriebsart kann auf zwei Arten aktiviert werden:

- Indem man den Cursor mit dem Schloss herauszieht
- Indem man den zusätzlichen Griff für die manuelle Aktivierung einsteckt, in die Position 0 (OFF) schaltet und den Hebel des Griffs mit Schloss aktiviert.



BLOCKIERUNG DER EINHEIT ÜBER AKTIVIERUNG DES HEBELS MIT SCHLOSS

Dieses Schloss kann man je nach Schalterstellung I - 0 - II in jeder Position antreffen.



BLOCKIERUNG DER EINHEIT ÜBER DEN ZUSÄTZLICHEN GRIFF FÜR DIE MANUELLE BETÄTIGUNG

Dieses Schloss kann sich nur in der Position 0 (OFF) befinden, und nach einer Blockierung kann der Griff nicht aus **MU** entfernt werden.

Das Ausgangssignal zwischen den Klemmen 8 und 9 wird nur dann aktiviert, wenn der Motorantrieb durch Verwendung des Hebels mit Vorhängeschloss gesperrt ist.

FEHLERLED

MU enthält eine LED im Innern, das die eventuellen Fehler meldet. Die Aktivierung kann in irgend einer der folgenden Situationen erfolgen:

- Fehler aufgrund einer Bewegung in eine blockierte Position:
Die Welle der Einheit hat sich bewegt während sich die Einheit in der blockierten Betriebsart befand.
- Der Fehler wird erzeugt, weil der Endanschlag nicht erreicht wird:
Die dauernde Bewegung wurde nicht abgeschlossen.
- Durch einen Schaden an der Bremse verursachter Fehler: Mit dem zusätzlichen Griff für die manuelle Betätigung wurde die Welle bewegt, während der Betriebszustand auf AUTO stand (siehe Anlage 6).

HINWEIS: Wenn die Fehler-LED leuchtet, bleibt **MU** blockiert.

Um die **MU** wieder freizugeben, muss die Stromversorgung unterbrochen und wieder angeschlossen werden.

ANLAGEN

Anlage 1: Bezugswerte des Schaltgeräts

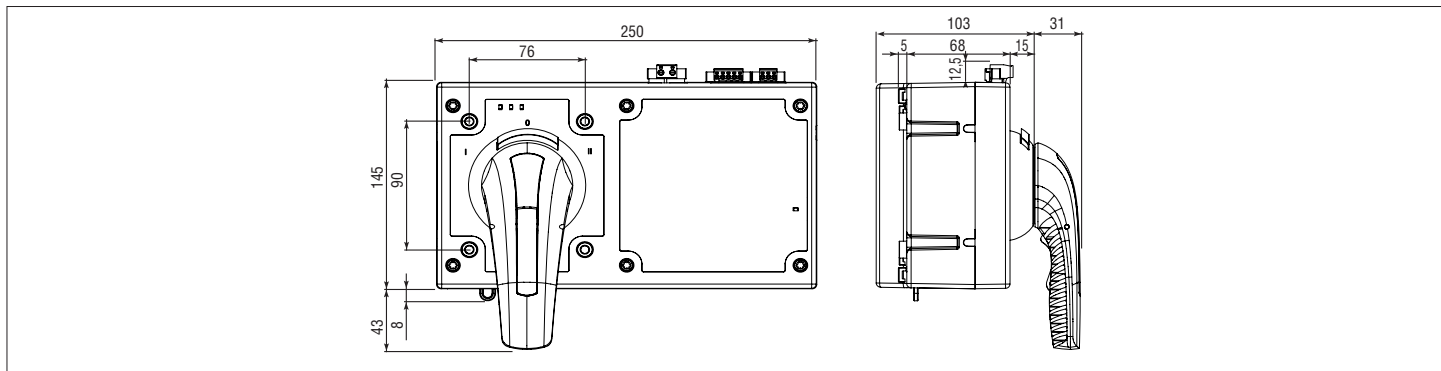
Das Intervall der MU für die Schaltgeräte liegt zwischen 160 und 800 A. Die Versorgung beträgt 230 V ac/dc..

A	Schalter I - 0 - II	
	3-Pol	3-Pol + Neutralleiter
	Code	Code
160	GE0160E	GE0160ET4
200	GE0200E	GE0200ET4
200	GE0201E	GE0201ET4
250	GE0250E	GE0250ET4
315	GE0315E	GE0315ET4
400	GE0400E	GE0400ET4
500	GE0500E	GE0500ET4
630	GE0630E	GE0630ET4
800	GE0800E	GE0800ET4

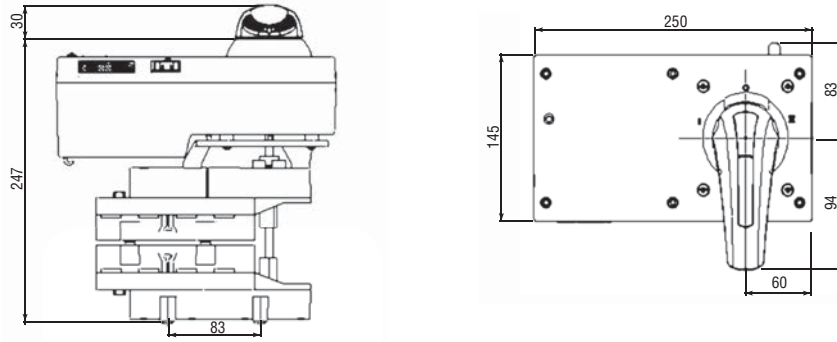
A	Einheit mit Motorantrieb MU
	230VAC/DC
	Code
160-200	GEX690C
250-400	GEX691C
500-800	GEX692C

Anlage 2:

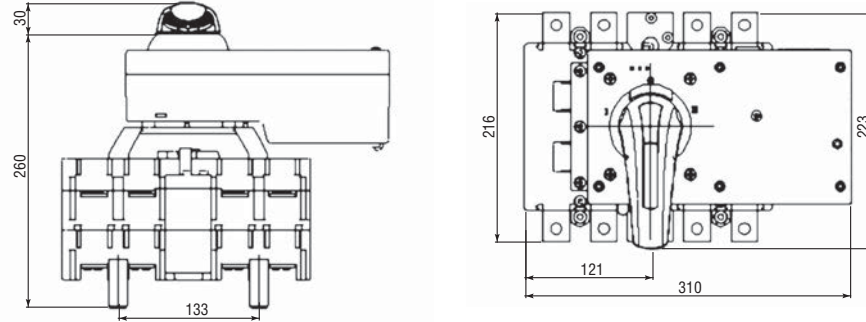
ABMESSUNGEN (mm)



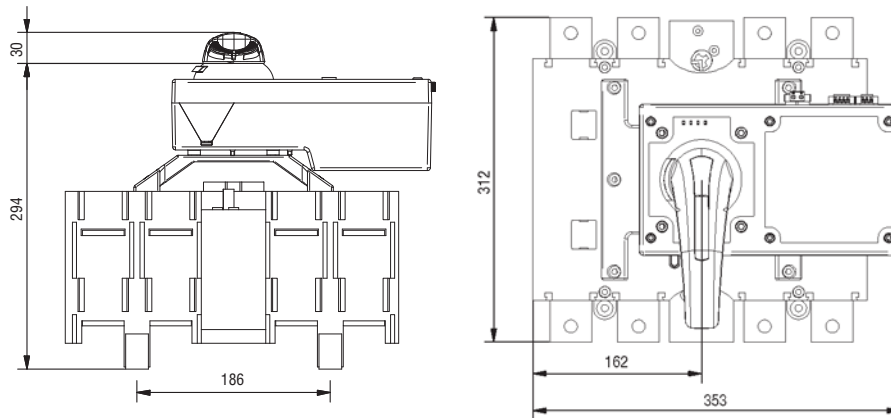
Schaltgerät
GE0160E/T4 - GE0200E/T4 + GEX690C



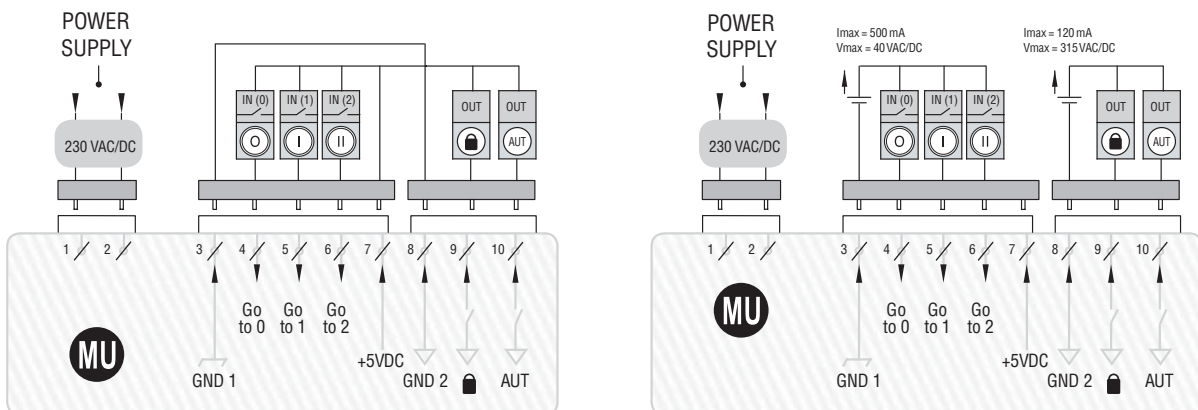
GE0201E/T4 - GE0400E/T4 + GEX691C



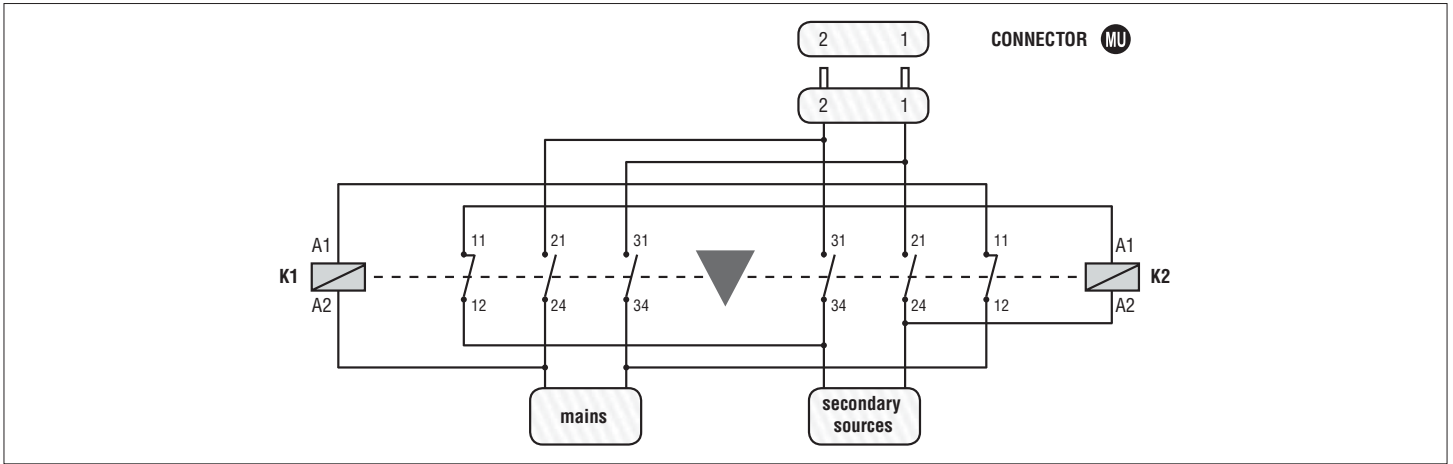
GE0500E/T4 - GE0800E/T4 + GEX692C



Anlage 3:
SCHALTPLÄNE
SCHALTER I - 0 - II

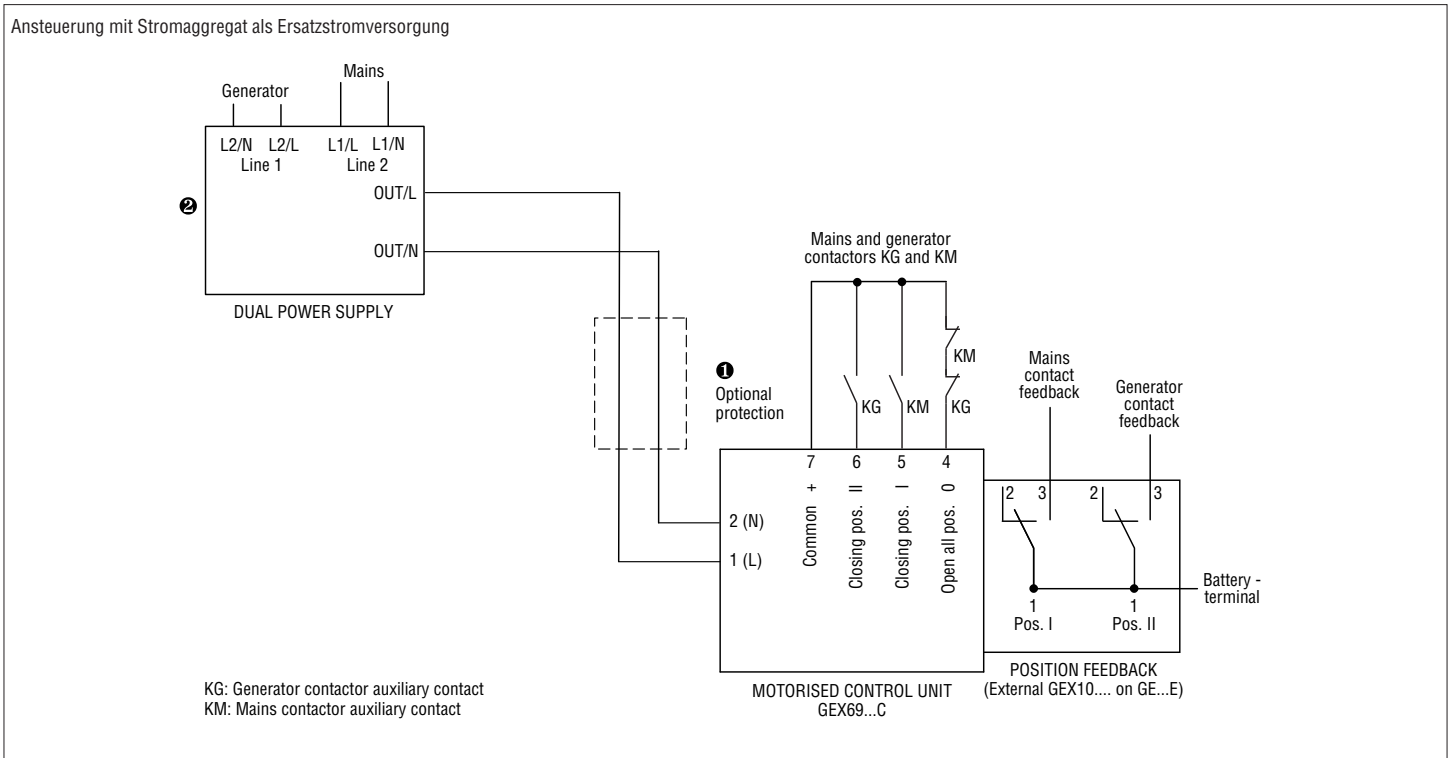


Für einen Dauerbetrieb im Außenbereich empfohlene Verkabelung K1, K2 = 230 V ac = Spule 230 Vac
 Relais K1, K2 elektrisch und mechanisch verriegelt



EINSATZBEISPIEL GEX69...C CON RGK... LOVATO ELECTRIC

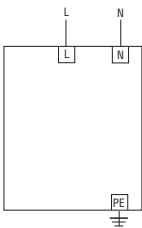
ANSCHLUSSPLAN



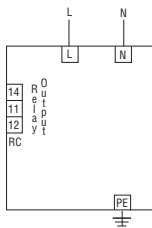
1 LÖSUNG 1

(e.g. LOVATO ELECTRIC SA2 1N A320 / A320R)

SA2 1N A320

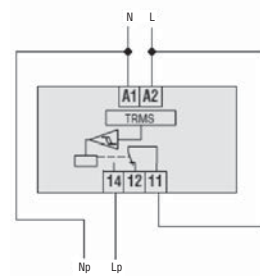


SA2 1N A320R

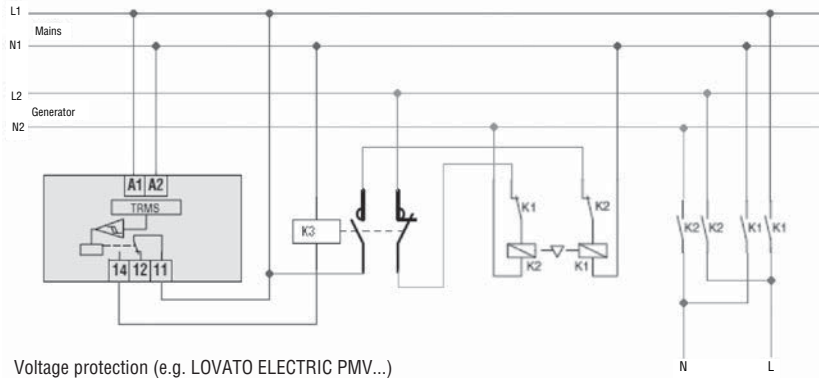


2 LÖSUNG 2

(e.g. LOVATO ELECTRIC PMV...)

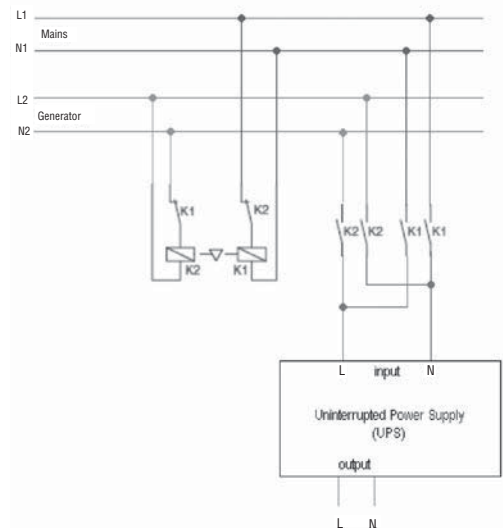


**2 DUAL POWER SUPPLY
LÖSUNG 1**



Voltage protection (e.g. LOVATO ELECTRIC PMV...)

**DUAL POWER SUPPLY
LÖSUNG 2**



Anlage 4: Tabelle der elektrischen Eigenschaften

		Schalter GE0160E/T4 - GE0400E/T4	Schalter GE0500E/T4 - GE0800E/T4
Drehmoment	Nm	20	30
Nennspannung	V	230VAC/DC	230VAC/DC
Spannungsintervall ¹	ΔV	von 0,85V bis 1,15V	von 0,9V bis 1,1V
Spannungsintervall gemäß IEC 60947-6	ΔV	von 0,95V bis 1,10V	von 0,95V bis 1,10V
Querschnitt des Kabels der Eingangssignale	mm ²	1,5 - 2,5	1,5 - 2,5
Querschnitt des Kabels der Eingangssignale	mm ²	0,5 - 1,5	0,5 - 1,5
Querschnitt des Kabels der Ausgangssignaleautomatische Blockierung	mm ²	0,5 - 1,5	0,5 - 1,5
Spitzenstrom	A	1,1	1,1
Betriebsstrom	mA	45	45
Schmelzsicherung ²	A	1	1
Betriebswinkel		- 70° / 0° / +70° (I - 0 - II)	- 70° / 0° / +70° (I - 0 - II)
Anzahl der Aktivierungen MU	Zyklen	10000	5000
Betriebsindex (0 - I - II - 0)	Zyklen/ Stunde	120	60
Betriebstemperatur		-25°C +55°C	-25°C +55°C
Transport- und Lagerungstemperatur		-40°C +70°C	-40°C +70°C
Gewicht	kg	1,8	1,8

¹ Anhand von bei uns durchgeführten Tests
² Bezugssicherung F0,5A L250 V (little fuse)

Pos.	Richtung	Pos.	Betriebszeit
0	→	I	750 ms
I	→	0	750 ms
0	→	II	750 ms
II	→	0	750 ms
I	→	II	1,5 Sekunden
II	→	I	1,5 Sekunden

Anlage 5: Tabelle der EMV (elektromagnetische Verträglichkeit)

Störfestigkeit					
Test	Norm	Gem. Normen UNE/EN 61000	Gem. Normen IEC 60947-6	Erreichte Ergebnisse	Erhaltene Werte während der Tests
Elektrostatische Entladungen	EN 61000-4-2	Spezial, B	Spezial, A	Spezial, A	Entlüftung ±8kV Entladung der Ausstattung ±4kV
Elektromagnetischer Hochfrequenzbereich	EN 61000-4-3	Pegel 3, A	Pegel 3, A	Pegel 3, A	10V/m von 80 MHz bis 1GHz
Schneller Transient (Burst)	EN 61000-4-4	Pegel 3, B	Pegel 3, A	Pegel 4, A	Versorgungsfrequenz ±4kV Rep. 2,5kHz Versorgungsfrequenz des Signals ± 2kV Rep 5kHz
Schneller Transient (Entladung des Überstroms)	EN 61000-4-5	Pegel 3, B	Pegel 3, A	Spezial, A	Versorgung ±4kV L1-L2 Impedanz des Generators 2 Ω (Wellenform 1,2/50ms)
Leiterstörungen	EN 61000-4-6	Pegel 3, A	Pegel 3, A	Pegel 3, A	Versorgung und Signal 10V
Elektromagnetisches Feld, gewerbliche Frequenz	EN 61000-4-8	Pegel 4, A	—	Pegel 4, A	Feldstärke 30A/m
Spannungsschwankungen, -unterbrechungen und änderungen	EN 61000-4-11	Kriterium B	—	Kriterium A	30% Un - 1000 ms
		Kriterium C	—	Kriterium A	60% Un - 1000 ms
		Kriterium C	—	Kriterium B	95% Un - 5000 ms

Emissionen					
Test	Norm	Gem. Normen UNE/EN 61000	Gem. Normen IEC 60947-6	Erreichte Ergebnisse	Erhaltene Werte während der Tests
Störstromemission	EN 61000-3-2	Pegel 3	Pegel 3	Pegel 3	Gesamtstrom 0,02A (manuelle Betriebsart)
		Pegel 3	Pegel 3	Pegel 3	Gesamtstrom 0,04A (automatische Betriebsart)
Unerwünschte Spannungen	EN 55011	Pegel 3	Pegel 3	Pegel 3	Qualifiziert
Strahlenemissionen	N 55011	Pegel 3	Pegel 3	Pegel 3	Qualifiziert

ANMERKUNG: Bei der Installation dieses Geräts in Wohngebäuden können Funkstörungen auftreten.

Die Norm EN 61000 entspricht der Norm IEC 61000 - die Norm EN 55011 entspricht der Norm CISPR11.

KRITERIUM A: Normalbetrieb innerhalb bestimmter Grenzwerte.

KRITERIUM B: Vorübergehende Änderung der Betriebsart. Das Gerät kehrt ohne Eingriff durch den Bediener wieder zum Normalbetrieb zurück.

KRITERIUM C: Vorübergehender Betriebsausfall oder Leistungsverringerung, für deren Korrektur ein Eingriff durch den Bediener erforderlich ist.

Test Pegel 3: Typische Industrieumgebung ohne besondere Installationsanweisungen.

Test Pegel 4: Schwere Industrieumgebung.

Spezialpegel: Umgebung mit starken elektromagnetischen Interferenzen.


Anlage 6: Diagnosetabelle

Symptom	Mögliche Ursache	Empfohlene Abhilfe
Nach Installation der MU verändert die Einheit im ersten Automatikbetrieb seine Position nicht und die Fehler-LED leuchtet auf.	Beim Einbau der MU wurde der Schalter oder das Schaltgerät nicht auf „0“ geschaltet.	Die Einheit ausbauen. Den Schalter oder das Schaltgerät auf „0“ schalten. Die Einheit wieder einbauen und den Schaltvorgang wiederholen.
Die MU funktioniert nicht und die Fehler-LED bleibt ausgeschaltet.	Die Versorgungsspannung entspricht nicht den Vorgaben.	Mit einem Multimeter die Spannung zwischen den Klemmen 1 und 2 der MU messen. Die Spannung muss innerhalb des genannten Bereichs liegen (siehe Anlage 5, Seite 13).
	Die Verkabelung zu den Eingangssignalen ist beschädigt.	Durchgang des Kabels von der Fernbedienung für MU prüfen.
Die MU funktioniert nicht gemäß der Eingangssignale; es wurden weder der Cursor für das Schloss noch der zusätzliche Griff für die manuelle Betätigung benutzt. Die Fehler-LED leuchtet.	Die Versorgungssicherung ist durchgebrannt.	Die Sicherung mit einem Multimeter kontrollieren. Ist die Sicherung durchgebrannt, muss sie durch eine neue mit den gleichen Eigenschaften ersetzt werden (siehe Anlage 5, Seite 13).
Nachdem der zusätzliche Griff für die manuelle Betätigung eingeführt wurde, funktioniert die MU nicht anhand der Eingangssignale. Die Fehler-LED bleibt aus.	Die Kupplung des zusätzlichen Griffs für die manuelle Betätigung wurde nicht in die obere Stellung geführt.	Den zusätzlichen Griff für die manuelle Betätigung erneut einführen und prüfen, ob während des Entfernens der Griff von der Kupplung automatisch nach außen gedrückt wird. Mit einem Multimeter prüfen, dass der Ausgang zwischen den Klemmen 7 und 9 geschlossen ist (Betriebsart AUTO aktiviert)
Die Stellung des Schalters oder des Schaltgeräts wurde mit dem zusätzlichen Griff für die manuelle Betätigung verändert; nachdem der Griff losgelassen wurde, funktioniert MU nicht anhand der Eingangssignale. Die Fehler-LED bleibt aus.	Die Kupplung des zusätzlichen Griffs für die manuelle Betätigung wurde nicht in die obere Stellung geführt.	Den zusätzlichen Griff für die manuelle Betätigung erneut einführen und prüfen, ob während des Entfernens der Griff von der Kupplung automatisch nach außen gedrückt wird. Mit einem Multimeter prüfen, dass der Ausgang zwischen den Klemmen 7 und 9 geschlossen ist (Betriebsart AUTO aktiviert)
Die Stellung des Schalters oder des Schaltgeräts wurde mit dem zusätzlichen Griff für die manuelle Betätigung verändert; nachdem der Griff losgelassen wurde, funktioniert MU nicht anhand der Eingangssignale.	Keine Übereinstimmung zwischen der Position der MU und der Position des Schalters oder des Schaltgeräts; das Problem kann nicht mittels Logikkontrolle der MU gelöst werden	Den zusätzlichen Griff für die manuelle Betätigung erneut einführen und den Schalter oder das Schaltgerät in die Position führen, in der sie sich vor dem Eintritt des Fehlers befanden. Sobald der Griff losgelassen wird, prüfen, dass der AUTO-Betrieb wieder hergestellt wurde.

ANMERKUNG: Wenn die Fehler-LED leuchtet, bleibt **MU** blockiert. Um die **MU** wieder freizugeben, muss die Stromversorgung unterbrochen und wieder angeschlossen werden.

NORMEN

- IEC/EN 60947-1 und 3. Niederspannungsgeräte. Allgemeiner Teil und Schalter - Trennvorrichtungen.
- IEC/EN/UNE 61000-6, Teile 2 und 4. Elektromagnetische Verträglichkeit in industriellen Umgebungen, Störfestigkeit und Emissionen.
- Gemäß der europäischen Norm 2006/95/CE für Niederspannung.
- Gemäß der europäischen Norm 2004/108/CE für Niederspannung.

Dieses Produkt ist zertifiziert 

ANMERKUNG Der Inhalt dieses Dokuments kann jederzeit ohne Vorankündigungspflicht verändert werden.


LOVATO ELECTRIC S.P.A.

24020 GORLE (BERGAMO) ITALIA
VIA DON E. MAZZA, 12
TEL. 035 4282111
FAX (Nazionale): 035 4282200
FAX (International): +39 035 4282400
E-mail info@LovatoElectric.com
Web www.LovatoElectric.com



F COMMANDE MOTORISÉE

GEX69...C



WARNING!

- This equipment is to be installed by qualified personnel, complying to current standards, to avoid damages or safety hazards.
- The manufacturer cannot be held responsible for electrical safety in case of improper use of the equipment.
- Products illustrated herein are subject to alteration and changes without prior notice. Technical data and descriptions in the documentation are accurate, to the best of our knowledge, but no liabilities for errors, omissions or contingencies arising there from are accepted.



ATTENTION !

- Ces appareils doivent être installés par un personnel qualifié, conformément aux normes en vigueur en matière d'installations, afin d'éviter de causer des dommages à des personnes ou choses.
- Le constructeur n'assume aucune responsabilité quant à la sécurité électrique en cas d'utilisation impropre du dispositif.
- Les produits décrits dans ce document sont susceptibles d'évoluer ou de subir des modifications à n'importe quel moment. Les descriptions et caractéristiques techniques du catalogue ne peuvent donc avoir aucune valeur contractuelle.



ACHTUNG!

- Zur Vermeidung von Personen- und Sachschäden dürfen diese Geräte nur von qualifiziertem Fachpersonal und unter Befolgung der einschlägigen Vorschriften installiert werden.
- Bei zweckwidrigem Gebrauch der Vorrichtung übernimmt der Hersteller keine Haftung für die elektrische Sicherheit.
- Die in dieser Broschüre beschriebenen Produkte können jederzeit weiterentwickelt und geändert werden. Die im Katalog enthaltenen Beschreibungen und Daten sind daher unverbindlich und ohne Gewähr.



ADVERTENCIA

- Este dispositivo debe ser instalado por personal cualificado conforme a la normativa de instalación vigente a fin de evitar daños personales o materiales.
- El fabricante no se responsabilizará de la seguridad eléctrica en caso de que el dispositivo no se utilice de forma adecuada.
- Los productos descritos en este documento se pueden actualizar o modificar en cualquier momento. Por consiguiente, las descripciones y los datos técnicos aquí contenidos no tienen valor contractual.



UPOZORNĚNÍ

- Tato zařízení smí instalovat kvalifikovaní pracovníci v souladu s platnými předpisy a normami pro předcházení úrazů osob či poškození věcí.
- Výrobce nenese odpovědnost za elektrickou bezpečnost v případě nevhodného používání regulátoru.
- Výrobky popsané v tomto dokumentu mohou kdykoli projít úpravami či dalším vývojem. Popisy a údaje uvedené v katalogu nemají proto žádnou smluvní hodnotu.



AVVERTIZARE!

- Acest echipament va fi instalat de personal calificat, în conformitate cu standardele actuale, pentru a evita deteriorări sau pericolele.
- Producătorul nu poate fi considerat responsabil pentru siguranța electrică în caz de utilizare incorectă a echipamentului.
- Produsele ilustrate în prezentul sunt supuse modificărilor și schimbărilor fără notificare anterioară. Datele tehnice și descrierile din documentație sunt precise, în măsura cunoștințelor noastre, dar nu se acceptă nicio răspundere pentru erorile, omisiunile sau evenimentele neprevăzute care apar ca urmare a acestora.



Avertissements de sécurité

Durant l'installation et le fonctionnement de la commande motorisée se conformer aux indications ci-après.

- S'assurer que la tension de la commande motorisée correspond à la tension de fonctionnement prévue et que la commande motorisée est appropriée au dispositif de commutation que l'on veut commander (voir page 9).
- Avant l'installation, s'assurer que le commutateur et la commande motorisée sont sur la position 0 (OFF).
- Suivre attentivement les instructions pour l'installation et se référer aux schémas de connexion.
- La commande motorisée doit être installée sur le commutateur avant d'être actionnée.
- Ne pas brancher l'alimentation avant d'avoir terminé toutes les opérations de câblage.
- Ne pas démonter, réparer ou modifier ce module car cela risquerait de causer des dommages ou provoquer des décharges électriques.
- Ne pas mettre sous tension ou brancher la commande motorisée si l'un des composants est endommagé.
- Tenir compte des chutes de tension possibles de la ligne d'alimentation.
- Lovato Electric n'est en aucun cas responsable de l'utilisation incorrecte de la commande motorisée ou de l'interprétation erronée des informations figurant dans le présent document.
- L'installation de ce dispositif dans un environnement domestique peut provoquer des interférences en radio-fréquence.
- Si la ligne secondaire est un groupe électrogène, s'assurer que celui-ci soit déconnecté (Off) après la commutation des lignes (t > 1 min).
- Dans les installations ayant des réseaux électriques instables ou subissant des dérangements dus à des processus d'interruption, un dispositif contre les surtensions (SPD) de type 2/classe II doit être installé selon les normes IEC/EN 61643-11.

VÉRIFICATION DES COMPOSANTS INCLUS DANS LE KIT

Avant de monter l'unité, s'assurer que les composants suivants sont inclus dans le carton :

- Unité motorisée **MU**.
- Sachet en plastique contenant les vis de fixation de l'unité motorisée au commutateur et connecteurs électriques.
- Arbre d'accouplement.
- Poignée auxiliaire d'actionnement manuel direct.
- Interface (commutation uniquement).

GUIDE DU PRODUIT

COMMUTEUR I - 0 - II

A - Alimentation **MU**

B - Signaux d'entrée

C - Signaux de sortie

D - LED de position :

Commutateur 0 - I - II

E - Curseur pour cadenas

F - LED de position

ATTENZIONE!

- Questi apparecchi devono essere installati da personale qualificato, nel rispetto delle vigenti normative impiantistiche, allo scopo di evitare danni a persone o cose.
- Il costruttore non si assume responsabilità in merito alla sicurezza elettrica in caso di utilizzo improprio del dispositivo.
- I prodotti descritti in questo documento sono suscettibili in qualsiasi momento di evoluzioni o di modifiche. Le descrizioni ed i dati a catalogo non possono pertanto avere alcun valore contrattuale.



UWAGA!

- W celu uniknięcia obrażeń osób lub uszkodzenia mienia tego typu urządzenia muszą być instalowane przez wykwalifikowany personel, zgodnie z obowiązującymi przepisami.
- Producent nie przyjmuje na siebie odpowiedzialności za bezpieczeństwo elektryczne w przypadku niewłaściwego użytkowania urządzenia.
- Produkty opisane w niniejszym dokumencie mogą być w każdej chwili udoskonalone lub zmodyfikowane. Opisy oraz dane katalogowe nie mogą mieć w związku z tym żadnej wartości umownej.



警告!

- 本设备只能由合格人员根据现行标准进行安装，以避免造成损坏或安全危害。
- 制造商不负责因设备使用不当导致的电气安全问题。
- 此处说明的产品可能会有变更，恕不提前通知。我们竭力确保本文件中技术数据和说明的准确性，但对于错误、遗漏或由此产生的意外事件概不负责。



ПРЕДУПРЕЖДЕНИЕ!

- Во избежание травм или материального ущерба монтаж должен осуществляться только квалифицированным персоналом в соответствии с действующими нормативами.
- Производитель не несет ответственность за обеспечение электробезопасности в случае ненадлежащего использования устройства.
- Изделия, описанные в настоящем документе, в любой момент могут подвергнуться изменениям или усовершенствованиям. Поэтому каталожные данные и описания не могут рассматриваться как действительные с точки зрения контрактов.



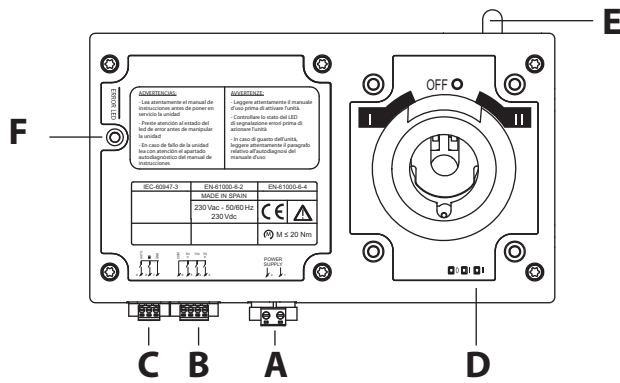
DIKKAT!

- Bu aparatlar kişilere veya nesnelere zarar verme ihtimaline karşı yürürlükte olan sistem kurma normlarına göre kalifiye personel tarafından monte edilmelidir.
- Üretici aparatın hatalı kullanımından kaynaklanan elektriksel güvenliğe ait sorumluluk kabul etmez.
- Bu dokümanda tarif edilen ürünler her an evrimlere veya değişimlere açıktır. Bu sebeple katalogdaki tarif ve değerler herhangi bir bağlayıcı değeri haiz değildir.

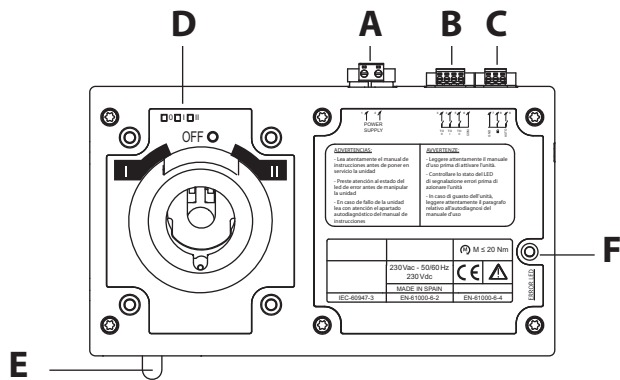


REMARQUE : Le contenu de ce document peut être modifié sans aucun préavis.

COMMUTATEUR GE0160E/T4 - GE0200E/T4

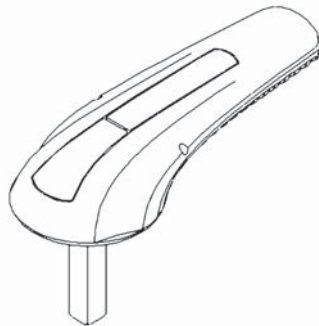


COMMUTATEUR GE0201E/T4 - GE0800E/T4



POIGNÉE AUXILIAIRE D'ACTIONNEMENT MANUEL

Pour les opérations d'entretien et d'actionnement d'urgence.



INSTALLATION / MONTAGE

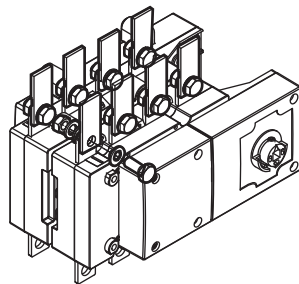
S'assurer que la tension de la commande motorisée correspond à la tension de fonctionnement prévue et que la commande motorisée est appropriée au dispositif de commutation que l'on veut commander (voir page 40).

Avant l'installation, s'assurer que le commutateur et la commande motorisée sont sur la position 0 (OFF).

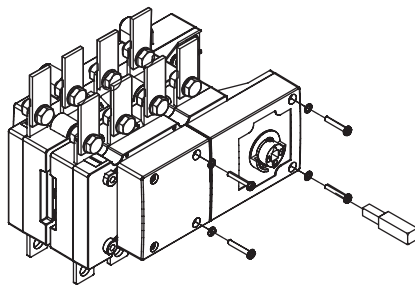
La commande motorisée doit être installée sur le commutateur avant d'être mise en service en respectant les indications énoncées ci-après.

POUR LE COMMUTATEUR GE0160E/T4 - GE0200E/T4

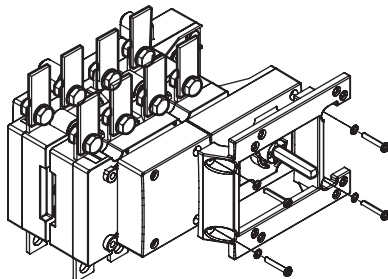
1 - Positionner le commutateur, fixer les barres et relier la sortie commune.



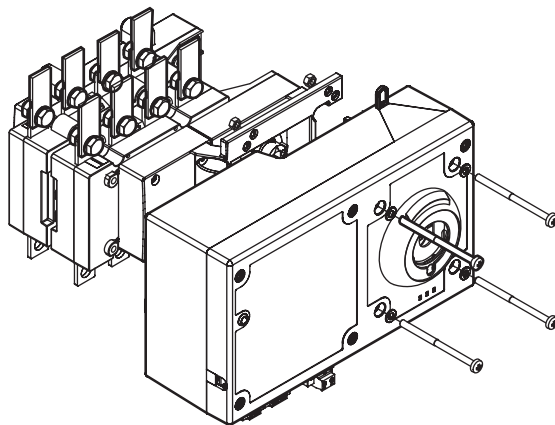
2 - Introduire l'arbre d'accouplement et le fixer à l'aide d'une clé Allen de 2,5 DIN 90011. Sans enlever le couvercle frontal, enlever les quatre vis indiquées.



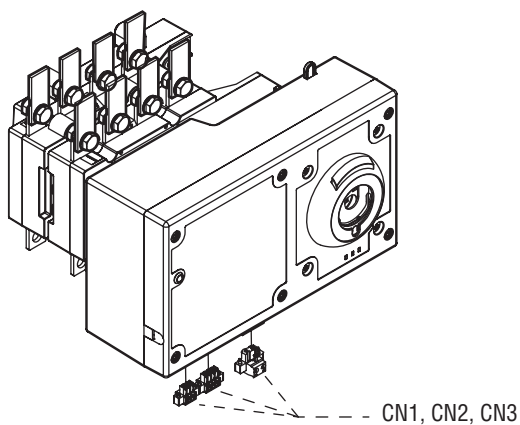
3 - Positionner l'interface et la visser sur le commutateur en utilisant des vis M3.5x30 DIN7985 (x 4) et des rondelles AET 4,3 (x 4) déjà incluses dans le kit.



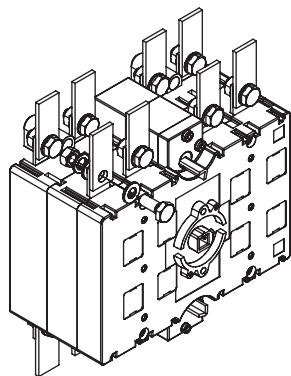
4 - Visser l'unité motorisée [avec le commutateur et l'unité moteur sur la position 0 (OFF)]. Les vis M5 x 75 DIN 7985 (x 4), les rondelles AET 5,3 (x 4) et les écrous M5 DIN 933 (x 4) sont compris dans le kit.



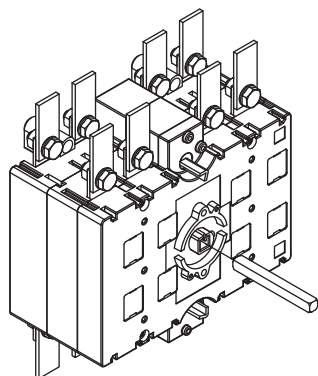
5 - Monter les connecteurs (CN1, CN2, CN3) et effectuer les branchements en se basant sur le schéma électrique (voir annexe 3, page 41).



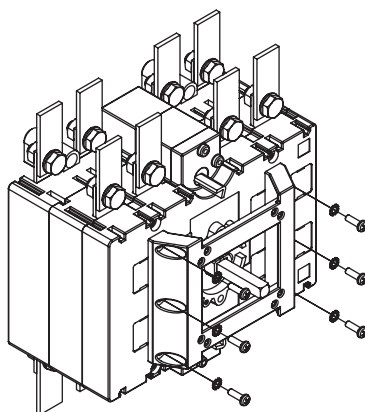
1 - Positionner le commutateur et fixer les barres.



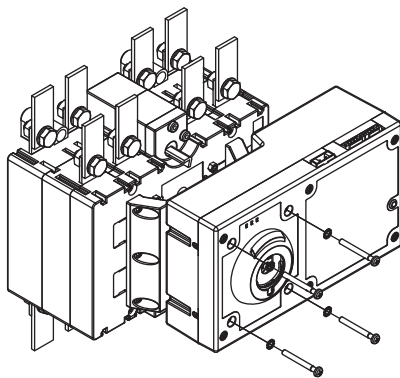
2 - Introduire l'arbre d'accouplement et le fixer à l'aide d'une clé Allen de 2,5 DIN 90011.



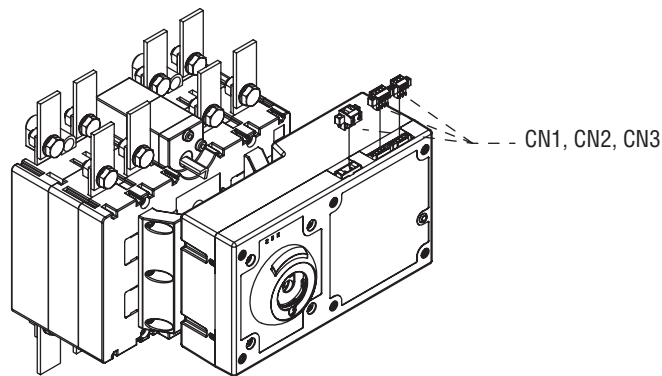
3 - Positionner l'interface et la visser sur le commutateur en utilisant des vis M5x15 DIN7985 (x 6) et des rondelles AET 5,3 (x 6) déjà incluses dans le kit.



4 - Visser l'unité motorisée [avec le commutateur et l'unité moteur sur la position 0 (OFF)]. Les vis M5 x 75 DIN 7985 (x 4), les rondelles AET 5,3 (x 4) et les écrous M5 DIN 933 (x 4) sont compris dans le kit.



5 - Monter les connecteurs (CN1, CN2, CN3) et effectuer les branchements en se basant sur le schéma électrique (voir annexe 3, page 41).

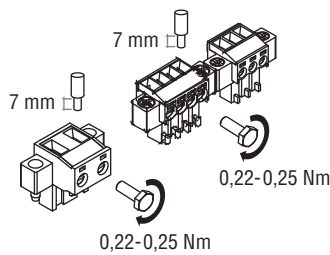


TENSION D'ALIMENTATION

Une tension d'alimentation (bornes 1-2) est nécessaire à la commande motorisée pour qu'elle fonctionne. Pour faire fonctionner la commande motorisée avec un groupe statique de continuité (alimentation auxiliaire) le client est tenu de préparer un circuit semblable à celui de l'exemple représenté à la page 41.

Dans les installations ayant des réseaux électriques instables ou subissant des dérangements dus à des processus d'interruption, un dispositif contre les surtensions (SPD) de type 2/classe II doit être installé selon les normes IEC/EN 61643-11.

	Bornes
	1-2
Section maximale conducteurs	4 mm ² (sans cosse) 2,5 mm ² (avec cosse)
Section minimale conducteurs	1,5 mm ²



SIGNAUX D'ENTRÉE

Les entrées électriques indiquées à la commande motorisée où se positionner. Les entrées peuvent être commandées par un contact sans tension.

Pour actionner la commande motorisée avec un contact sans tension, il faut fermer le circuit entre la borne +5VDC (borne 7). Si on applique un contact tendu, le niveau de tension doit être identique à celui du commutateur, il sera donc nécessaire de brancher le signal de masse de la commande à la borne GND1 (3).

Signaux d'entrée	Borne	5VDC	GND 1
Position 0	4	7	3
Position I	5	7	3
Position II	6	7	3
Section maximale conducteurs	4 mm ² (sans cosse) 2,5 mm ² (avec cosse)		
Section minimale conducteurs	1,5 mm ²		

SIGNAUX DE SORTIE

Ils indiquent le mode de fonctionnement (automatique ou verrouillé) du commutateur. Effectué au moyen d'un contact à l'état solide. Les sorties peuvent être alimentées par la tension auxiliaire interne de +5VDC (broche 7) si on relie les bornes GND1 et GND2.

Les sorties peuvent aussi être contrôlées au moyen d'une source de tension externe placée entre les sorties de position et la borne de terre ($V_{max}=315$ Vca/cc, $I_{max}=120$ mA).

État unité motorisée	Borne	+5 VDC	GND 2
Mode VERROUILLÉ	9	7	8
Mode AUTOMATIQUE	10	7	8
Capacité maximale du câblage	4 mm ² (senza alette comp.) 2,5 mm ² (con alette comp.)		
Capacité maximale du câblage	1,5 mm ²		

$I_{max} = 120$ mA x borne. Alimentation externe + terre (GND)

MODE DE FONCTIONNEMENT

Automatique

Il s'agit de l'état normal de l'unité et il est activé quand la poignée auxiliaire d'actionnement manuel ou le cadenas ne sont pas présents. L'unité répond uniquement à des signaux d'entrée.

Manuel

Ce mode est activé quand on enclenche et bloque la poignée auxiliaire d'actionnement manuel dans son logement (anneau pour poignée). L'unité ne peut être actionnée qu'en utilisant la poignée auxiliaire d'actionnement manuel.

Verrouillé

Ce mode est activé quand on extrait le curseur pour le cadenas. Les actionnements manuels ou électriques ne sont pas autorisés.

FONCTIONNEMENT AUTOMATIQUE

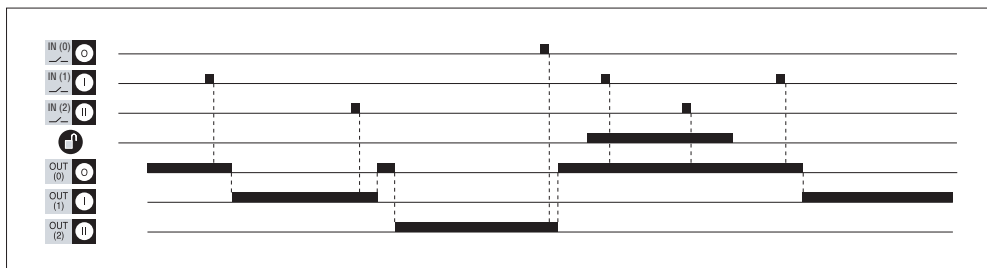
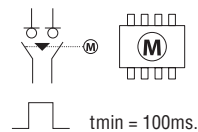
Dans ce mode, l'unité ne fonctionne que sur la base d'entrées numériques.

MU s'active d'après le premier ordre reçu par un signal continu ou à impulsions.

COMMANDE PAR IMPULSION

La séquence de commutation s'obtient par impulsion entre la borne commune et les bornes 4 (position 0), 5 (position I) et 6 (position II).
Durée minimale de l'impulsion 100 ms.

Exemple de commande par impulsion :



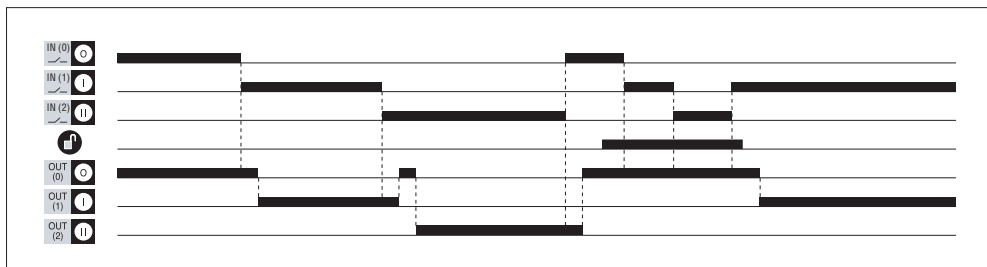
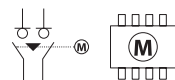
COMMANDE PAR CONTACT STABLE

La séquence de commutation s'obtient par un contact stable entre la borne commune et les bornes 4 (position 0), 5 (position I) et 6 (position II).

Sorties

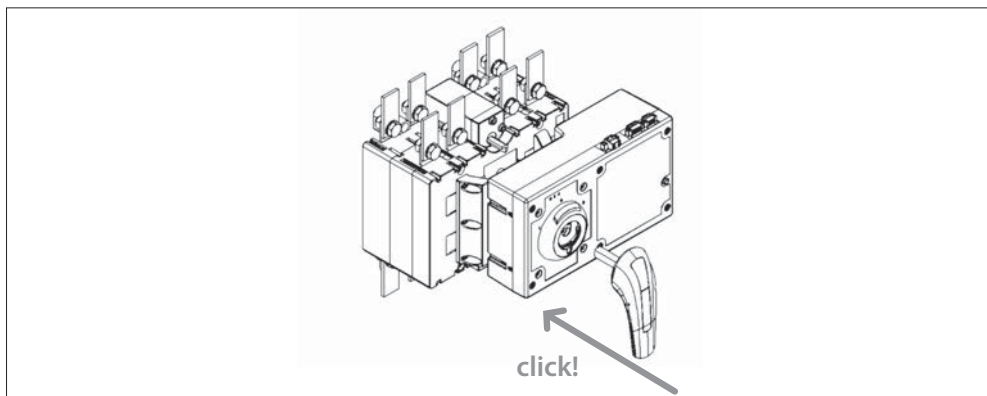
Les sorties (voir page 38) indiquent les positions du sectionneur de commutateur.

Exemple de commande par contact stable:

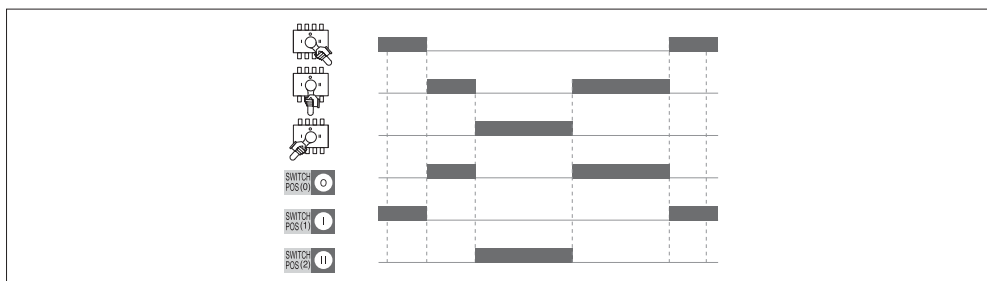


FONCTIONNEMENT MANUEL

Le fonctionnement manuel est activé automatiquement quand on enclenche la poignée auxiliaire d'actionnement manuel à l'intérieur de son logement.
La poignée doit être enclenchée jusqu'à ce qu'elle atteigne la position de verrouillage.



Une fois que la poignée est verrouillée, l'unité passe en mode de fonctionnement manuel et les mouvements ne peuvent être effectués qu'avec la poignée auxiliaire d'actionnement manuel.

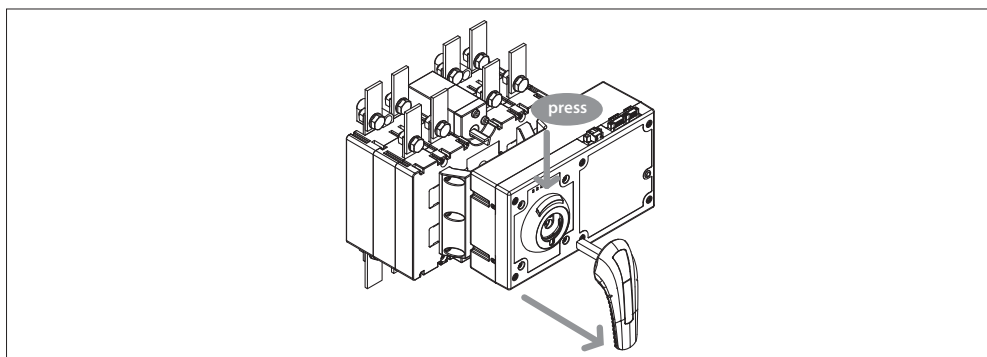


Entrées

Le fonctionnement automatique n'est pas autorisé dans ce mode. L'unité ne répondra à aucun signal électrique d'entrée.

Retour au fonctionnement automatique

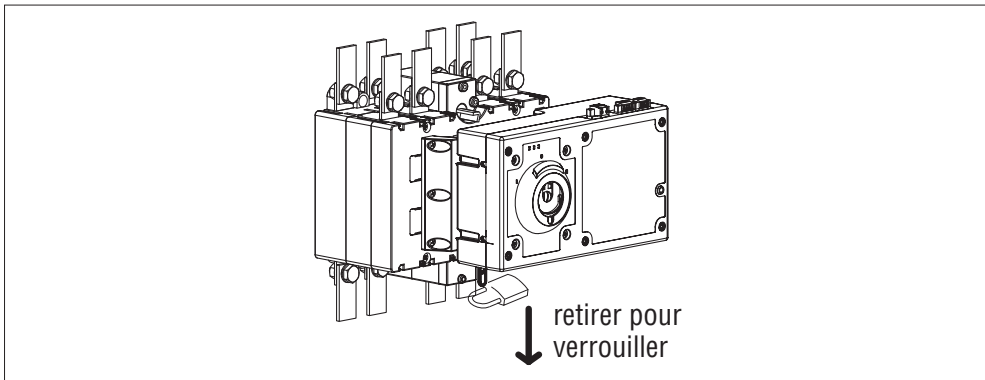
Après l'actionnement manuel, l'unité revient au mode AUTOMATIQUE quand on relâche et extrait la poignée auxiliaire d'actionnement manuel.
Pour extraire la poignée, appuyer sur le bouton gris situé sur l'anneau de la poignée. Après l'avoir enfoncée, la poignée se détache de l'anneau.



MODE VERROUILLÉ

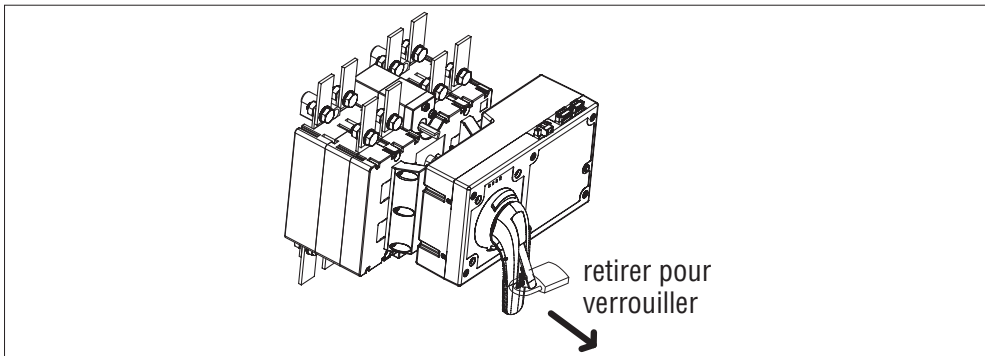
Les fonctionnements manuel et automatique ne sont pas autorisés dans ce mode. Ce mode peut être activé de deux façons :

- En extrayant le curseur avec le cadenas
- En enclenchant la poignée auxiliaire pour l'activation manuelle, en passant à la position 0 (OFF) et en actionnant le levier de la poignée cadenassable.



VERROUILLAGE DE L'UNITÉ PAR ACTIVATION DU LEVIER CADENASSABLE

Ce cadenas peut se trouver dans n'importe quelle position en fonction du point où a été placé le commutateur I - 0 - II.



VERROUILLAGE DE L'UNITÉ AU MOYEN DE LA POIGNÉE AUXILIAIRE D'ACTIONNEMENT MANUEL

Ce cadenas peut uniquement être sur la position 0 (OFF), et, une fois verrouillée, la poignée ne peut pas être enlevée de la **MU**.

Le signal de sortie entre les bornes 8 et 9 n'est activé que quand la commande motorisée est bloquée à l'aide du levier cadenassable.

LED D'ERREUR

La **MU** contient une LED pour indiquer les anomalies éventuelles. La LED peut être activée dans l'une des situations suivantes :

- Anomalie due à un mouvement en position verrouillée :
L'arbre de l'unité a bougé tandis que l'unité se trouvait en mode verrouillé.
- Anomalie provoquée à cause de la position finale qui n'a pas été atteinte : Le mouvement continu n'a pas été achevé.
- Anomalie due à la rupture de la friction :
Un mouvement de l'arbre a été effectué au moyen de la poignée auxiliaire d'actionnement manuel tandis que l'état de la MU était AUTO (voir annexe 6).

REMARQUE : Una volta attivato il LED di errore, la **MU** resta bloccata. Le déverrouillage de la **MU** ne peut se faire qu'en coupant et réactivant l'alimentation.

ANNEXES

Annexe 1 : références du commutateur

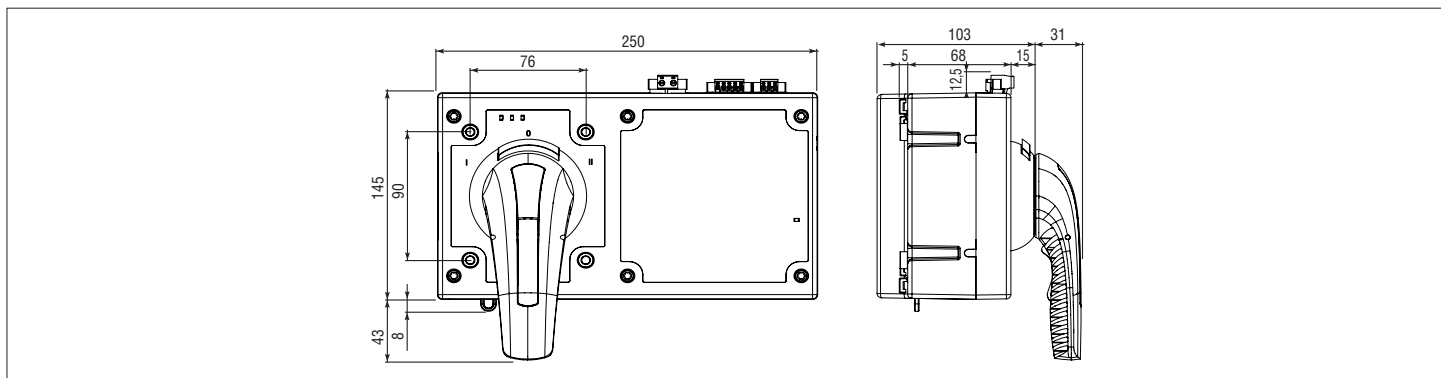
L'intervalle de la **MU** disponible pour les commutateurs est compris entre 160 et 800A.
L'alimentation est de 230VAC/DC.

Commutateurs I - 0 - II		
	3 pôles	3 pôles + neutre
A	Code	Code
160	GE0160E	GE0160ET4
200	GE0200E	GE0200ET4
200	GE0201E	GE0201ET4
250	GE0250E	GE0250ET4
315	GE0315E	GE0315ET4
400	GE0400E	GE0400ET4
500	GE0500E	GE0500ET4
630	GE0630E	GE0630ET4
800	GE0800E	GE0800ET4

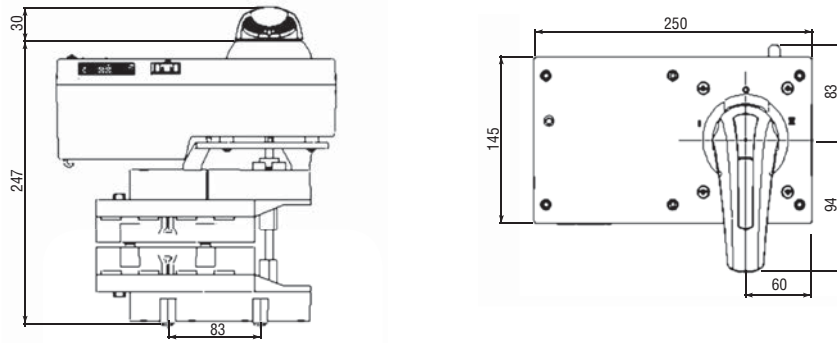
Unité motorisée MU	
A	Code
160-200	GEX690C
250-400	GEX691C
500-800	GEX692C

Annexe 2 :

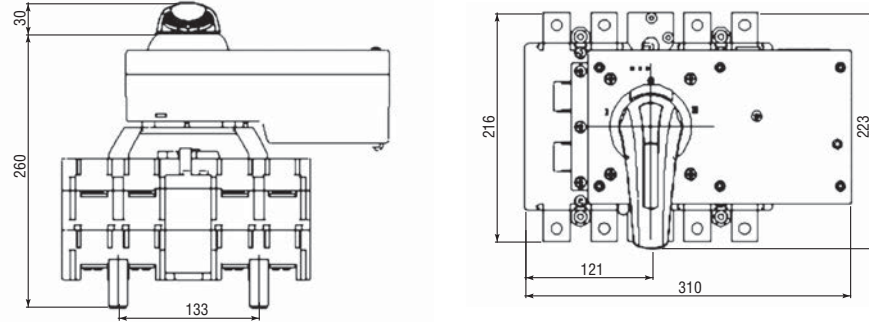
DIMENSIONS (mm)



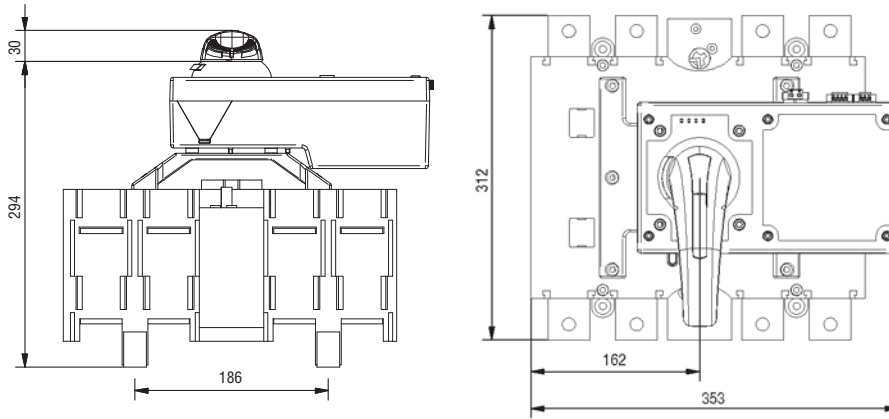
Commutateur
GE0160E/T4 - GE0200E/T4 + GEX690C



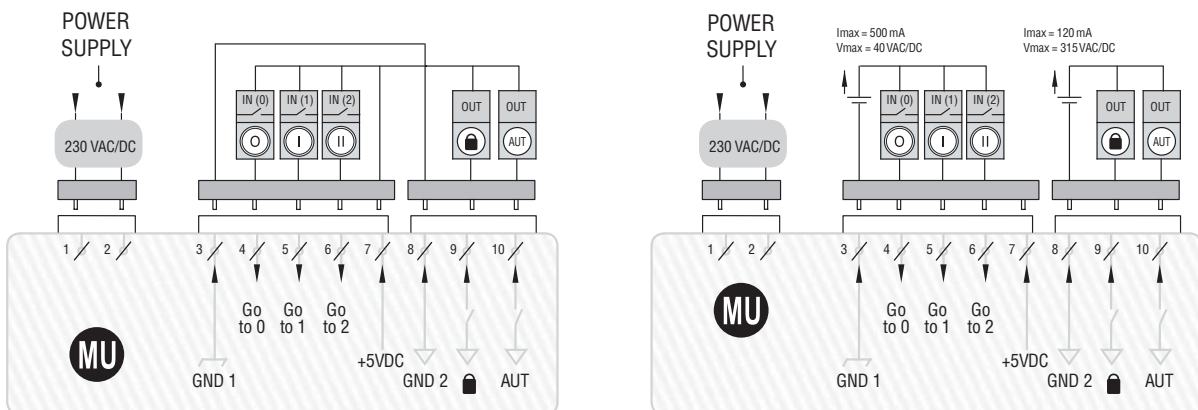
GE0201E/T4 - GE0400E/T4 + GEX691C



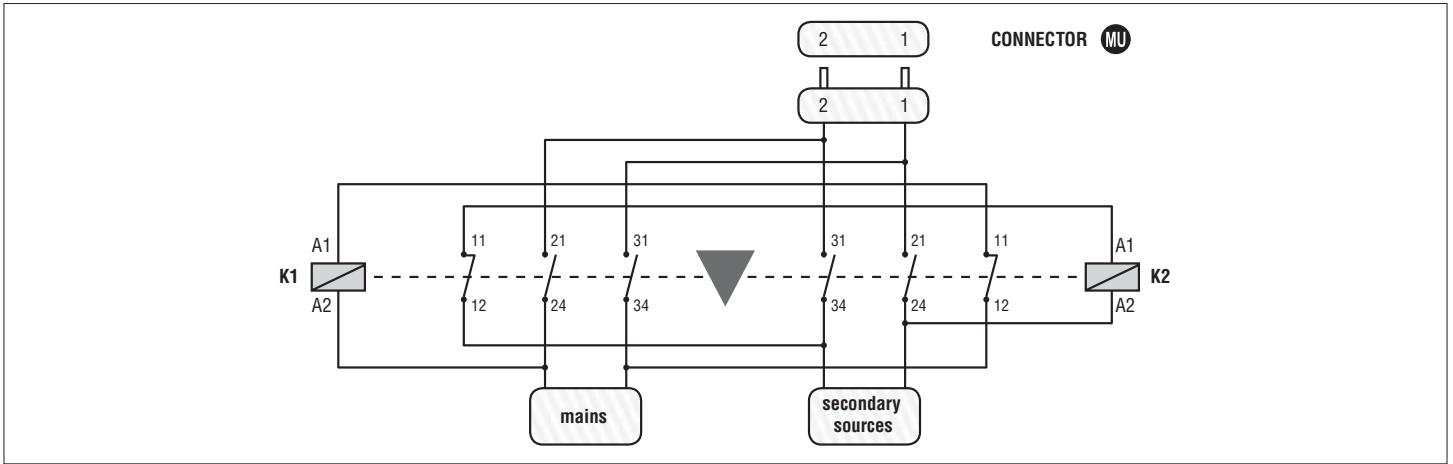
GE0500E/T4 - GE0800E/T4 + GEX692C



Annexe 3 :
SCHÉMAS ÉLECTRIQUES
COMMUTEUR I - 0 - II

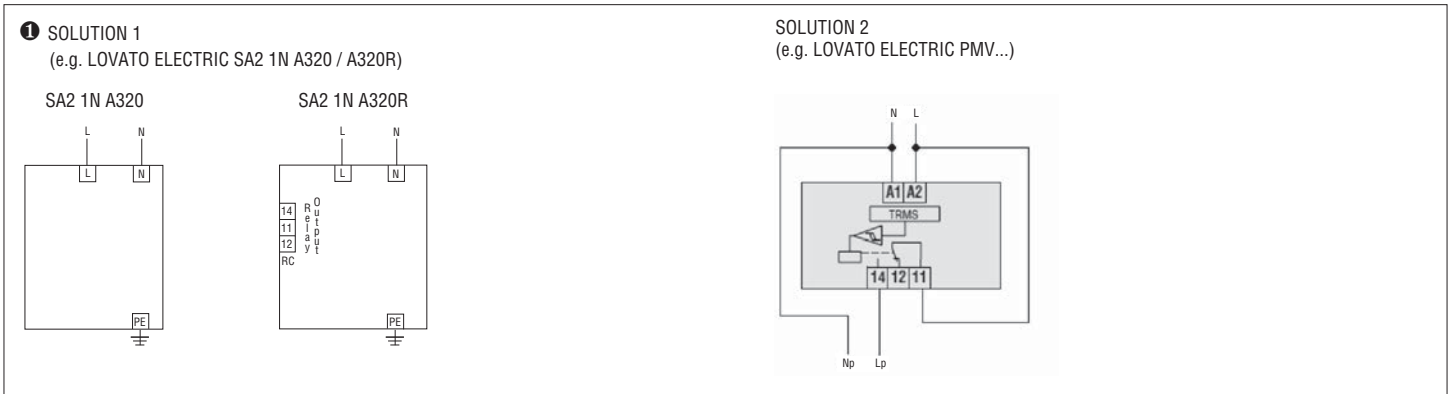
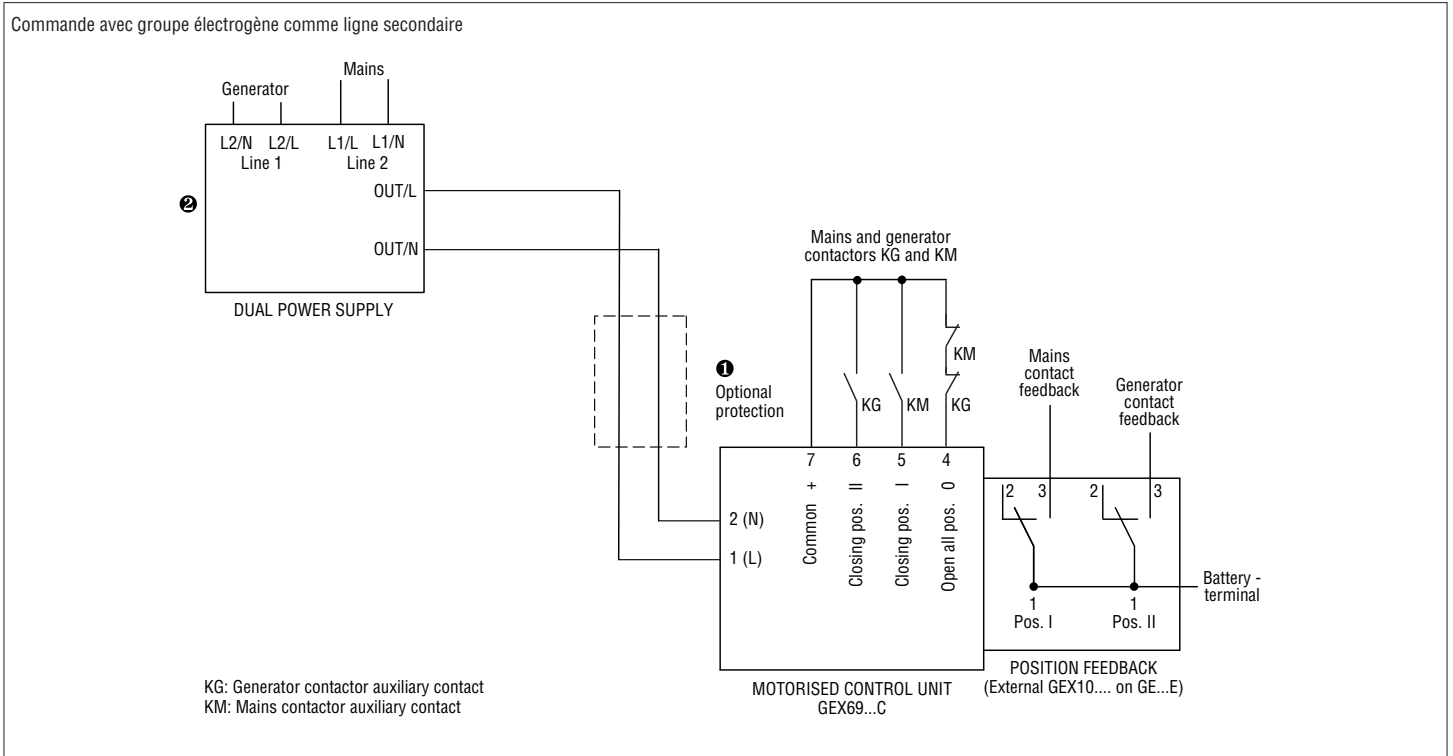


Câblage proposé pour l'alimentation continue externe K1, K2 = 230VAC = Bobine 230VAC
 Relais K1, K2 verrouillés électriquement et mécaniquement

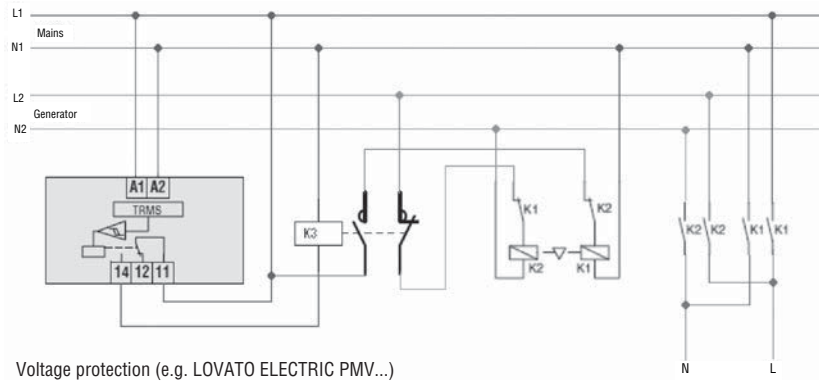


EXEMPLE D'UTILISATION GEX69...C CON RGK... LOVATO ELECTRIC

SCHÉMA DE BRANCHEMENT

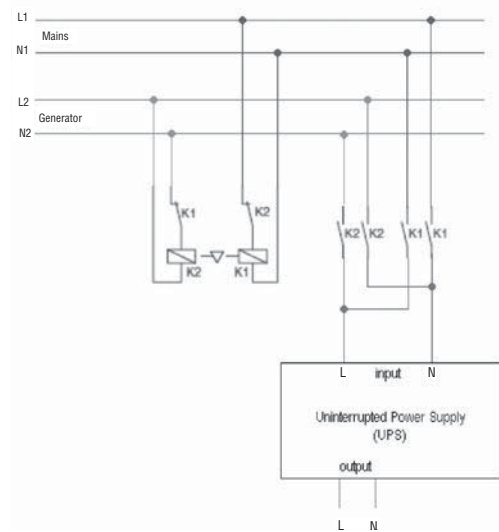


2 DUAL POWER SUPPLY SOLUTION 1



Voltage protection (e.g. LOVATO ELECTRIC PMV...)

DUAL POWER SUPPLY SOLUTION 2



Annexe 4 : tableau des caractéristiques électriques

		Commutateur GE0160E/T4 - GE0400E/T4	Commutateur GE0500E/T4 - GE0800E/T4
Couple de fonctionnement	Nm	20	30
Tension nominale de fonctionnement	V	230VAC/DC	230VAC/DC
Intervalle tension de fonctionnement ❶	ΔV	de 0,85V à 1,15V	de 0,9V à 1,1V
Intervalle tension de fonctionnement selon IEC 60947-6	ΔV	de 0,95V à 1,10V	de 0,95V à 1,10V
Section câble tension d'alimentation	mm ²	1,5 - 2,5	1,5 - 2,5
Section câble signaux d'entrée	mm ²	0,5 - 1,5	0,5 - 1,5
Section de câble sorties mode verrouillage automatique	mm ²	0,5 - 1,5	0,5 - 1,5
Courant de pic	A	1,1	1,1
Courant en service	mA	45	45
Fusible de protection ❷	A	1	1
Angle de fonctionnement		- 70° / 0° / +70° (I - 0 - II)	- 70° / 0° / +70° (I - 0 - II)
Nombre d'activations MU	Cycles	10000	5000
Taux de fonctionnement (0 - I - II - 0)	Cycles/ heure	120	60
Température de fonctionnement		-25°C +55°C	-25°C +55°C
Température de transport et stockage		-40°C +70°C	-40°C +70°C
Peso	kg	1,8	1,8

❶ Sur la base d'essais que nous avons effectués directement

❷ Fusible référence F0,5AL250V (Littelfuse)

Pos.	Direction	Pos.	Temps de fonctionnement
0	→	I	750 ms
I	→	0	750 ms
0	→	II	750 ms
II	→	0	750 ms
I	→	II	1,5 secondes
II	→	I	1,5 secondes

Annexe 5 : tableau EMC (compatibilité électromagnétique)

Immunité					
Essai	Norme	Selon les normes UNE/EN 61000	Selon les normes IEC 60947-6	Résultats rajoutés	Valeurs obtenues durant les essais
Décharges électriques	EN 61000-4-2	Spéciales, B	Spéciales, A	Spéciales, A	Bouche d'aération ±8kV Décharge équipements ±4kV
Champ haute fréquence électromagnétique	EN 61000-4-3	Niveau 3, A	Niveau 3, A	Niveau 3, A	10V/m de 80 MHz à 1GHz
Transitoires rapides (Burst)	EN 61000-4-4	Niveau 3, B	Niveau 3, A	Niveau 4, A	Fréquence alimentation ±4kV Rep. 2,5kHz Fréquence alimentation signal ± 2kV Rep 5kHz
Transitoire rapide (décharge surintensité)	EN 61000-4-5	Niveau 3, B	Niveau 3, A	Spéciales, A	Alimentation ±4kV L1-L2 Impédance générateur 2 Ω (onde 1,2/50ms)
Dérangements conduits	EN 61000-4-6	Niveau 3, A	Niveau 3, A	Niveau 3, A	Alimentation et signal 10V
Champ électromagnétique, fréquence industrielle	EN 61000-4-8	Niveau 4, A	—	Niveau 4, A	Intensité champ 30A/m
Creux de tension, coupures et variations de tension	EN 61000-4-11	Critère B	—	Critère A	30% Un - 1000 ms
		Critère C	—	Critère A	60% Un - 1000 ms
		Critère C	—	Critère B	95% Un - 5000 ms

Émissions					
Essai	Norme	Selon les normes UNE/EN 61000	Selon les normes IEC 60947-6	Résultats rajoutés	Valeurs obtenues durant les essais
Émission de courant harmonique	EN 61000-3-2	Niveau 3	Niveau 3	Niveau 3	Courant total 0,02A (mode manuel)
		Niveau 3	Niveau 3	Niveau 3	Courant total 0,04A (mode manuel)
Tension indésirable	EN 55011	Niveau 3	Niveau 3	Niveau 3	Qualifiés
Émissions irradiées	N 55011	Niveau 3	Niveau 3	Niveau 3	Qualifiés

REMARQUE : Le montage de ce dispositif dans des bâtiments à usage d'habitation peut provoquer des interférences au radiofréquences

La norme EN 61000 équivaut à IEC 61000 - la norme EN 55011 équivaut à CISPR11

CRITÈRE A: Fonctionnement normale dans des limites déterminées

CRITÈRE B: Modification transitoire du fonctionnement. Le dispositif revient au fonctionnement normal sans l'intervention de l'opérateur

CRITÈRE C: perte momentanée de la fonction ou dégradation des performances, la correction devant être faite par l'opérateur

Essai niveau 3: Environnement industriel typique, sans dispositions spéciales de montage

Essai niveau 4: Environnement industriel sévère

Niveau spécial : Environnement ayant de très fortes interférences électromagnétiques


Annexe 6 : tableau de diagnostic

Symptôme	Cause possible	Action conseillée
Une fois que la MU est montée, durant le premier fonctionnement automatique l'unité ne change pas sa position et la LED d'erreur s'allume.	La MU n'a pas été montée en mettant l'interrupteur ou le commutateur sur la position « 0 ».	Démonter l'unité. Déplacer l'interrupteur ou le commutateur sur la position « 0 ». Remonter l'unité et répéter la manœuvre.
La MU ne fonctionne pas et la LED d'erreur reste éteinte.	Tension d'alimentation hors spécifications.	Utiliser un multimètre pour contrôler la tension entre les bornes 1 et 2 de la MU . La tension doit rentrer dans la plage indiquée (voir annexe 5, page 13).
	Le câblage aux signaux d'entrée est endommagé	Contrôler la continuité du câblage de la commande motorisée à la MU .
La MU ne fonctionne pas selon les signaux d'entrée ; ni le curseur pour le cadenas, ni la poignée auxiliaire d'actionnement manuel n'ont été utilisés. LED d'erreur allumée.	Fusible d'alimentation grillé.	Contrôler le fusible à l'aide d'un multimètre. Si le fusible est grillé, le remplacer par un neuf ayant les mêmes caractéristiques (voir annexe 5, page 13).
Après avoir enclenché et relâché la poignée auxiliaire d'actionnement manuel, la MU ne fonctionne pas selon les signaux d'entrée. La LED d'erreur reste allumée.	La friction de la poignée auxiliaire d'actionnement manuel n'a pas été remise dans la position supérieure.	Enclencher à nouveau la poignée auxiliaire d'actionnement manuel et contrôler si durant l'extraction elle est automatiquement poussée à l'extérieur de la friction. Utiliser un multimètre pour vérifier que la sortie entre les bornes 7 et 9 est fermée (mode AUTO actif).
La position de l'interrupteur ou du commutateur a été changée en utilisant la poignée auxiliaire d'actionnement manuel ; après avoir relâché la poignée, la MU ne fonctionne pas selon les signaux d'entrée. LED d'erreur allumée.	La friction de la poignée auxiliaire d'actionnement manuel n'a pas été remise dans la position supérieure.	Enclencher à nouveau la poignée auxiliaire d'actionnement manuel et contrôler si durant l'extraction elle est automatiquement poussée à l'extérieur de la friction. Utiliser un multimètre pour vérifier que la sortie entre les bornes 7 et 9 est fermée (mode AUTO actif).
La position de l'interrupteur ou du commutateur a été changée en utilisant la poignée auxiliaire d'actionnement manuel ; après avoir relâché la poignée, la MU ne fonctionne pas selon les signaux d'entrée. La LED d'erreur reste éteinte.	Absence de correspondance entre la position de la MU et la position de l'interrupteur ou du commutateur ; elle ne peut pas être résolue par le contrôle logique de la MU .	Enclencher à nouveau la poignée auxiliaire d'actionnement manuel et remettre l'interrupteur ou le commutateur dans la position où elle se trouvait avant l'anomalie. Une fois la poignée relâchée, contrôler que le fonctionnement AUTO a été rétabli.

REMARQUE : Une fois la LED d'erreur activée, la **MU** reste verrouillée. Le déverrouillage de la **MU** ne peut se faire qu'en coupant et réactivant l'alimentation.

NORMES

- IEC/EN 60947-1 et 3. Équipements basse tension. Partie générale et interrupteur - sectionneurs.
- IEC/EN/UNE 61000-6, Parties 2 et 4. Compatibilité électromagnétique dans des environnements industriels, immunité et émissions.
- Selon la Norme européenne 2006/95/CE pour la basse tension.
- Selon la Norme européenne 2004/108/CE d'EMC (compatibilité électromagnétique).

Ce produit est certifié 

REMARQUE : Le contenu de ce document peut être modifié sans aucun préavis.


LOVATO ELECTRIC S.P.A.

24020 GORLE (BERGAMO) ITALIA
VIA DON E. MAZZA, 12
TEL. 035 4282111
FAX (Nazionale): 035 4282200
FAX (International): +39 035 4282400
E-mail info@LovatoElectric.com
Web www.LovatoElectric.com



E UNIDAD DE MOTORIZACIÓN

GEX69...C



WARNING!

- This equipment is to be installed by qualified personnel, complying to current standards, to avoid damages or safety hazards.
- The manufacturer cannot be held responsible for electrical safety in case of improper use of the equipment.
- Products illustrated herein are subject to alteration and changes without prior notice. Technical data and descriptions in the documentation are accurate, to the best of our knowledge, but no liabilities for errors, omissions or contingencies arising there from are accepted.



ATTENTION !

- Ces appareils doivent être installés par un personnel qualifié, conformément aux normes en vigueur en matière d'installations, afin d'éviter de causer des dommages à des personnes ou choses.
- Le constructeur n'assume aucune responsabilité quant à la sécurité électrique en cas d'utilisation impropre du dispositif.
- Les produits décrits dans ce document sont susceptibles d'évoluer ou de subir des modifications à n'importe quel moment. Les descriptions et caractéristiques techniques du catalogue ne peuvent donc avoir aucune valeur contractuelle.



ACHTUNG!

- Zur Vermeidung von Personen- und Sachschäden dürfen diese Geräte nur von qualifiziertem Fachpersonal und unter Befolgung der einschlägigen Vorschriften installiert werden.
- Bei zweckwidrigem Gebrauch der Vorrichtung übernimmt der Hersteller keine Haftung für die elektrische Sicherheit.
- Die in dieser Broschüre beschriebenen Produkte können jederzeit weiterentwickelt und geändert werden. Die im Katalog enthaltenen Beschreibungen und Daten sind daher unverbindlich und ohne Gewähr.



ADVERTENCIA

- Este dispositivo debe ser instalado por personal cualificado conforme a la normativa de instalación vigente a fin de evitar daños personales o materiales.
- El fabricante no se responsabilizará de la seguridad eléctrica en caso de que el dispositivo no se utilice de forma adecuada.
- Los productos descritos en este documento se pueden actualizar o modificar en cualquier momento. Por consiguiente, las descripciones y los datos técnicos aquí contenidos no tienen valor contractual.



UPOZORNĚNÍ

- Tato zařízení smí instalovat kvalifikovaní pracovníci v souladu s platnými předpisy a normami pro předcházení úrazů osob či poškození věcí.
- Výrobce nenese odpovědnost za elektrickou bezpečnost v případě nevhodného používání regulátoru.
- Výrobky popsané v tomto dokumentu mohou kdykoli projit úpravami či dalším vývojem. Popisy a údaje uvedené v katalogu nemají proto žádnou smluvní hodnotu.



AVERTIZARE!

- Acest echipament va fi instalat de personal calificat, în conformitate cu standardele actuale, pentru a evita deteriorări sau pericolele.
- Producătorul nu poate fi considerat responsabil pentru siguranța electrică în caz de utilizare incorectă a echipamentului.
- Produsele ilustrate în prezentul sunt supuse modificărilor și schimbărilor fără notificare anterioară. Datele tehnice și descrierile din documentație sunt precise, în măsura cunoștințelor noastre, dar nu se acceptă nicio răspundere pentru erorile, omisiunile sau evenimentele neprevăzute care apar ca urmare a acestora.



Precauciones de seguridad

Durante la instalación y el funcionamiento de la unidad de motorización es necesario atenderse a las siguientes recomendaciones:

- Comprobar que la tensión de trabajo de la unidad de motorización se corresponde con la tensión a la que vamos a trabajar y que la unidad de motorización es adecuada para el conmutador que va a accionar (ver pág. 9).
- La unidad de motorización debe ser instalada con el conmutador y con la unidad motorizada en posición 0 (OFF).
- Respetar escrupulosamente las instrucciones de montaje y los esquemas de conexión.
- La unidad de motorización debe ser montada en el conmutador a accionar antes de hacerla funcionar. Para evitar descargas o fallos en la unidad, no conecte la alimentación hasta que todo el cableado haya sido realizado.
- No desmontar, reparar o modificar esta unidad pues se pueden producir problemas de funcionamiento o descargas eléctricas.
- No suministrar corriente o conectar el instrumento si alguna parte del mismo está dañada.
- Considerar las posibles caídas de tensión en el conexionado.
- Lovato Electric no se hace responsable del uso indebido de la unidad motorizada ni de la mala interpretación de la información contenida en este documento.
- La instalación de este aparato en un entorno doméstico puede producir radio interferencias.
- Si la red secundaria de la conmutación es un generador, asegurarse que la parada de éste sea posterior a la maniobra de retransferencia de líneas ($t > 1$ min).
- En instalaciones con redes eléctricas inestables o perturbaciones causadas por procesos de conexiones y desconexiones, debe colocarse un dispositivo de protección contra sobretensiones transitorias (SPD) de tipo 2/clase II, según norma IEC/EN 61643-11.

COMPROBACIÓN DE LOS ELEMENTOS CONTENIDOS EN ESTE KIT

Antes de comenzar la instalación compruebe que los siguientes artículos estén contenidos en la caja:

- Unidad de motorización **UM**.
- Bolsa de tornillería para fijar el kit motorizado y conectores eléctricos.
- Eje de enlace.
- Mando auxiliar de accionamiento manual.
- Soporte adaptador (sólo en conmutadores).

GUÍA DEL PRODUCTO

CONMUTADOR I - 0 - II

A - Alimentación de la **UM**

B - Señales de entrada

C - Señales de salida

D - Led de posición:

Conmutador 0 - I - II

E - Palanca bloqueo candado

F - Led de error

ATTENZIONE!

- Questi apparecchi devono essere installati da personale qualificato, nel rispetto delle vigenti normative impiantistiche, allo scopo di evitare danni a persone o cose.
- Il costruttore non si assume responsabilità in merito alla sicurezza elettrica in caso di utilizzo improprio del dispositivo.
- I prodotti descritti in questo documento sono suscettibili in qualsiasi momento di evoluzioni o di modifiche. Le descrizioni ed i dati a catalogo non possono pertanto avere alcun valore contrattuale.



UWAGA!

- W celu uniknięcia obrażeń osób lub uszkodzenia mienia tego typu urządzenia muszą być instalowane przez wykwalifikowany personel, zgodnie z obowiązującymi przepisami.
- Producent nie przyjmuje na siebie odpowiedzialności za bezpieczeństwo elektryczne w przypadku niewłaściwego użytkowania urządzenia.
- Produkty opisane w niniejszym dokumencie mogą być w każdej chwili udoskonalone lub zmodyfikowane. Opisy oraz dane katalogowe nie mogą mieć w związku z tym żadnej wartości umownej.



警告!

- 本设备只能由合格人员根据现行标准进行安装，以避免造成损坏或安全危害。
- 制造商不负责因设备使用不当导致的电气安全问题。
- 此处说明的产品可能会有变更，恕不提前通知。我们竭力确保本档中技术数据和说明的准确性，但对于错误、遗漏或由此产生的意外事件概不负责。



ПРЕДУПРЕЖДЕНИЕ!

- Во избежание травм или материального ущерба монтаж должен осуществляться только квалифицированным персоналом в соответствии с действующими нормативами.
- Производитель не несет ответственность за обеспечение электробезопасности в случае ненадлежащего использования устройства.
- Изделия, описанные в настоящем документе, в любой момент могут подвергнуться изменениям или усовершенствованиям. Поэтому каталожные данные и описания не могут рассматриваться как действительные с точки зрения контрактов.



DIKKAT!

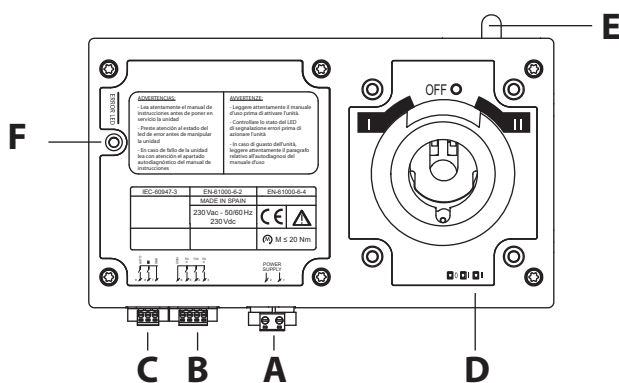
- Bu aparatlar kişilere veya nesnelere zarar verme ihtimaline karşı yürürlükte olan sistem kurma normlarına göre kalifiye personel tarafından monte edilmelidir.
- Üretilen aparatın hatalı kullanımından kaynaklanan elektriksel güvenliğe ait sorumluluk kabul etmez.
- Bu dokümanda tarif edilen ürünler her an evrimlere veya değişimlere açıktır. Bu sebeple katalogdaki tarif ve değerler herhangi bir bağlayıcı değeri haiz değildir.



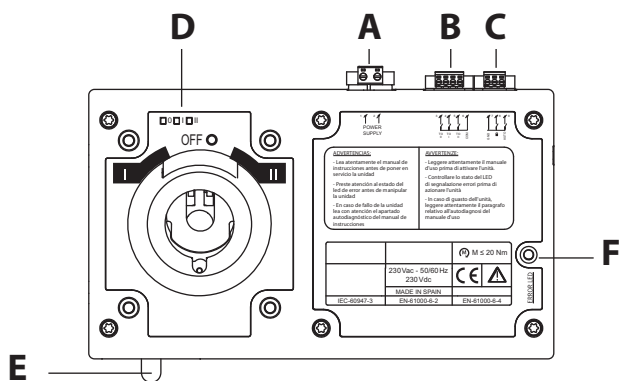
NOTA:

El contenido de este documento podrá modificarse en el futuro sin notificación previa.

CONMUTADOR GE0160E/T4 - GE0200E/T4

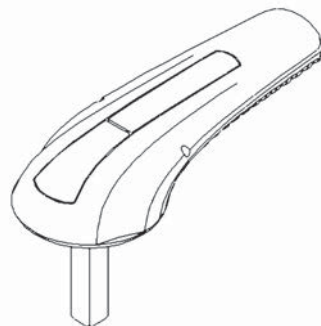


CONMUTADOR GE0201E/T4 - GE0800E/T4



MANDO AUXILIAR DE ACCIONAMIENTO MANUAL

Para operaciones de mantenimiento o emergencia.



INSTALACIÓN / MONTAJE

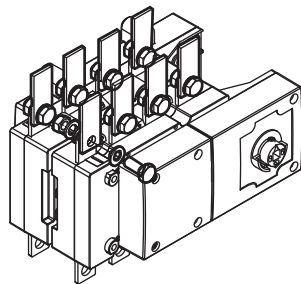
Comprobar que la tensión de trabajo de la unidad de motorización se corresponde con la tensión a la que vamos a trabajar y que la unidad de motorización es adecuada para el conmutador que va a accionar (ver pág 51).

La unidad motorizada debe instalarse estando tanto con el conmutador compacto, como la unidad motorizada, en posición 0.

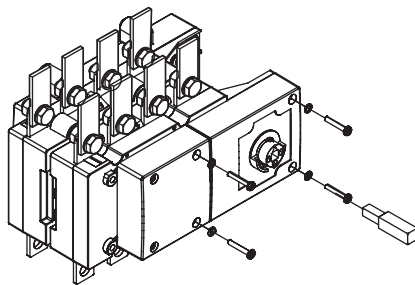
La unidad de motorización de debe fijar al conmutador ante de hacerla funcionar siguiendo los siguientes pasos.

PARA CONMUTADOR GE0160E/T4 - GE0200E/T4

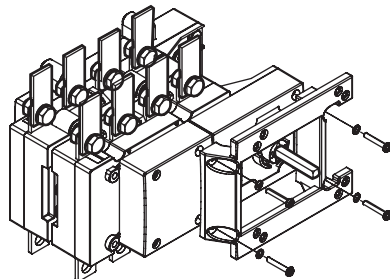
1 - Presentar el conmutador en su alojamiento, fijar el embarrado y puentear la salida común.



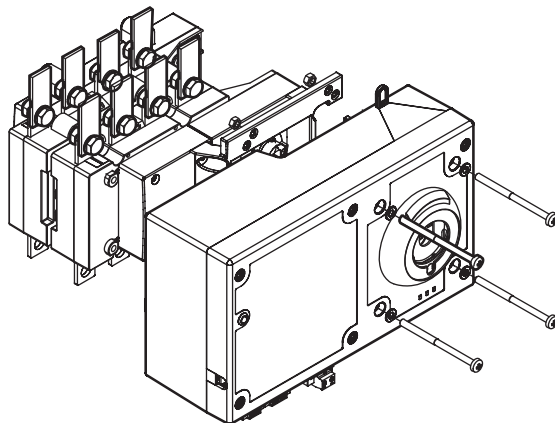
2 - Insertar eje en el conmutador y apretarlo utilizando una llave allen 2,5 DIN 90011. Sin quitar la tapa frontal del mecanismo de salto, extraer los cuatro tornillos indicados.



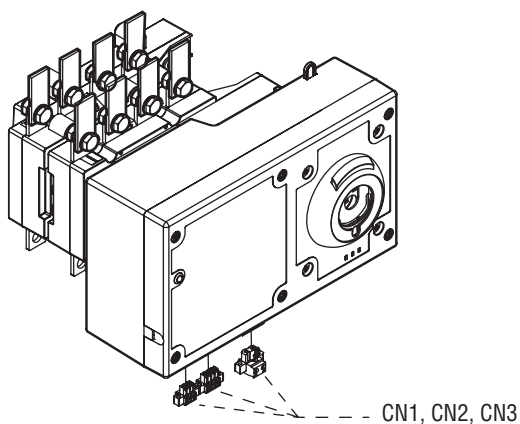
3 - Colocar el soporte adaptador y atornillarlo sobre el conmutador. Tornillos M3.5x30 DIN7985 (x4) y arandelas A.E.T. 4,3 (x4) incluidos.



4 - Montar y atornillar la unidad de motorización (con el conmutador y **UM** en posición 0). Tornillos M5 x 75 DIN 7985 (x 4), arandelas A.E.T. 5,3 (x 4), tuercas M5 DIN 933 (x4) incluidos.

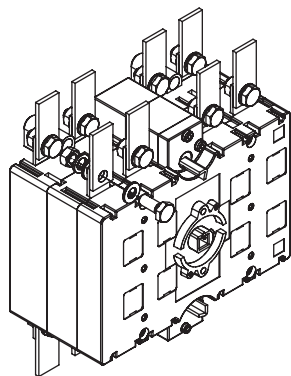


5 - Colocar los conectores (CN1, CN2, CN3) y realizar las conexiones según el esquema eléctrico (ver anexo 3, pág. 52).

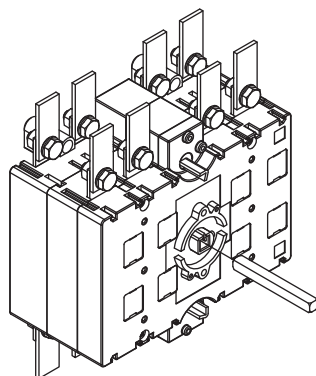


--- CN1, CN2, CN3

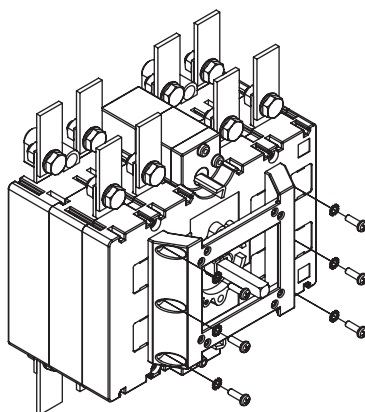
1 - Presentar el conmutador en su alojamiento y fijar el embarrado.



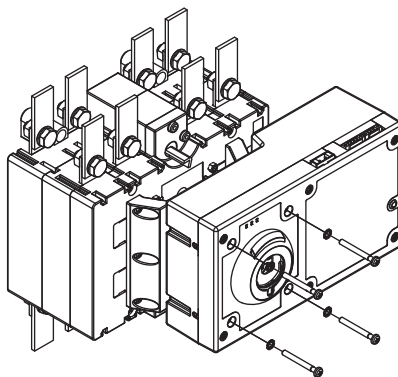
2 - Insertar eje en el conmutador y apretarlo utilizando una llave allen 2,5 DIN 90011.



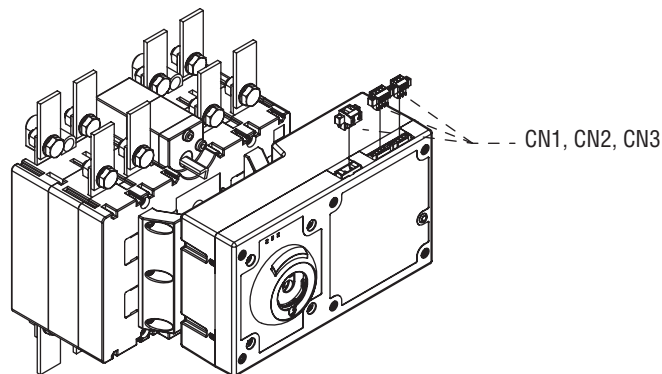
3 - Colocar el soporte adaptador y atornillarlo sobre el conmutador. Tornillos M5x15 DIN7985 (x6) y arandelas A.E.T. 5,3 (x6) incluidos.



4 - Montar y atornillar la unidad de motorización (con el conmutador y **UM** en posición 0). Tornillos M5 x 75 DIN 7985 (x 4), arandelas A.E.T. 5,3 (x 4), tuercas M5 DIN 933 (x4) incluidos.



5 - Colocar los conectores (CN1, CN2, CN3) y realizar las conexiones según el esquema eléctrico (ver anexo 3, pág. 52).

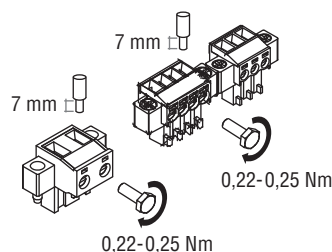


ALIMENTACIÓN

La unidad de motorización requiere ser alimentada para su funcionamiento (terminales 1-2). Para que la unidad disponga de un sistema de alimentación ininterrumpida (red principal - red secundaria), se deberá preparar un circuito semejante al del ejemplo de la página 52.

En instalaciones con redes eléctricas inestables o perturbaciones causadas por procesos de conexiones y desconexiones, debe colocarse un dispositivo de protección contra sobretensiones transitorias (SPD) de tipo 2/clase II, según norma IEC/EN 61643-11.

	Terminales
	1-2
Capacidad máxima conductores	4 mm ² (sin punteras) 2,5 mm ² (con punteras)
Capacidad mínima conductores	1,5 mm ²



SEÑALES DE ENTRADA

Las entradas eléctricas indican la posición que debe adoptar la unidad de motorización.

Las mismas pueden accionarse con un contacto sin tensión, para lo cual es necesario cerrar el circuito entre el terminal +5VDC (terminal 7). Si se opta por la aplicación directa de una tensión, el generador de tensión debe estar al mismo potencial que la parte de entradas, por lo que será necesario unir la señal de "ground" del generador con el terminal GND 1 (pin 3).

Estado de conmutación	Terminal	5VDC	GND 1
A posición 0	4	7	3
A posición I	5	7	3
A posición II	6	7	3
Capacidad máxima conductores	4 mm ² (sin punteras) 2,5 mm ² (con punteras)		
Capacidad mínima conductores	1,5 mm ²		

SEÑALES DE SALIDA

Corresponden a las señales que indican el estado de funcionamiento del conmutador (Automático o Bloqueado). Se realizan mediante un contacto basado en un relé de estado sólido. Se pueden alimentar las salidas a través de la tensión auxiliar interna de la UM de +5VDC (pin 7) que actuará de común de las salidas y el terminal correspondiente uniendo GND 1 y GND 2. También puede utilizarse una fuente de alimentación externa (V_{max} = 315VAC/DC, I_{máx.} = 120mA) situada entre las salidas de estado y el terminal GND.

Estado unidad	Terminal	+5 VDC	GND 2
Modo BLOQUEO	9	7	8
Modo AUTO	10	7	8
Capacidad máxima de los terminales	4 mm ² (sin punteras) 2,5 mm ² (con punteras)		
Capacidad mínima de los terminales	1,5 mm ²		

I_{máx} = 120mA x Terminal. Conexión alimentación externa + GND

MODOS DE FUNCIONAMIENTO

Automático

Este modo es el estándar de la unidad y se encuentra activado sin la presencia del mando auxiliar de accionamiento manual ni del bloqueo por candado. La unidad sólo responde a las señales de entrada.

Manual

Este modo se activa al insertar y enclavar el mando auxiliar de accionamiento manual en su alojamiento (arandela de mando). La unidad sólo puede ser maniobrada con el mando auxiliar de accionamiento manual. No se permite la maniobra eléctrica.

Bloqueo

Este modo se activa al extraer la pestaña del bloqueo por candado. No se permite el accionamiento ni manual ni eléctrico.

FUNCIONAMIENTO AUTOMÁTICO

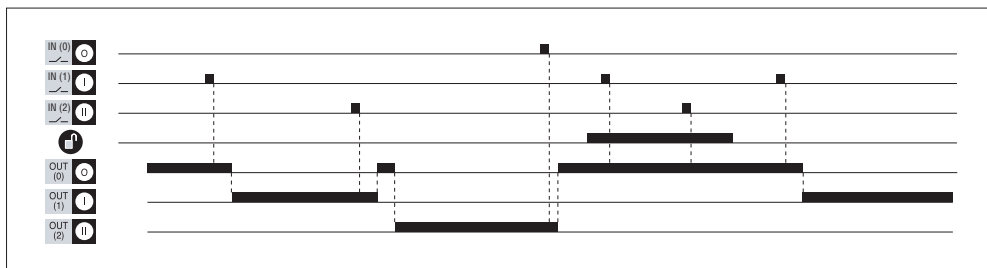
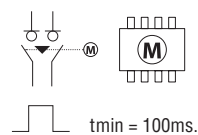
En este modo la unidad sólo responde a las señales de entrada digitales.

La UM ejecuta la primera orden que recibe y obedece tanto a contactos mantenidos como por pulsos.

CONMUTACIÓN POR PULSOS

El orden de conmutación se hace por pulsos entre el terminal común y los terminales 4 (posición 0), 5 (posición I) y 6 (posición II).
Longitud mínima de pulsos: 100ms.

Ejemplo de funcionamiento por pulsos:



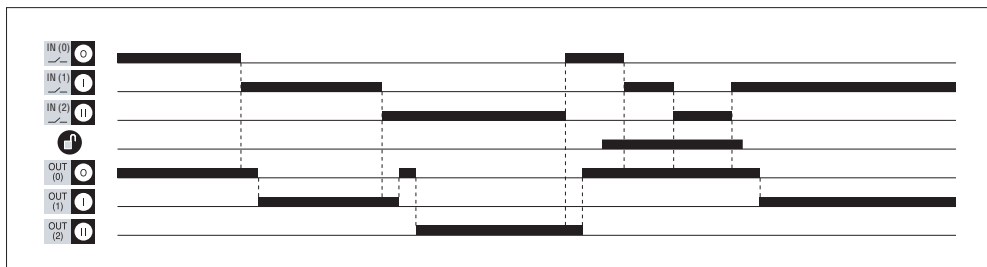
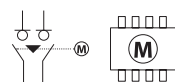
CONMUTACIÓN POR CONTACTO MANTENIDO

El orden de conmutación se hace por contacto mantenido entre el terminal común y los terminales 4 (posición 0), 5 (posición I) y 6 (posición II).

Salidas

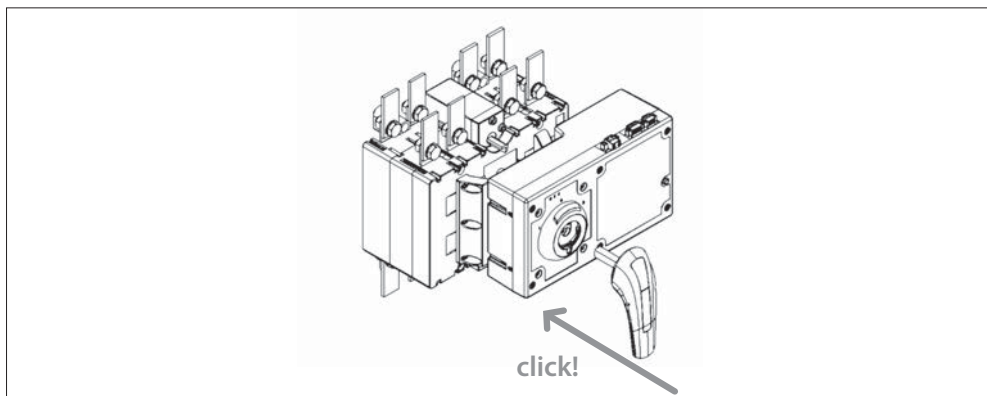
Las salidas (ver pág. 49) indican las posiciones del seccionador de conmutación.

Ejemplo de funcionamiento por contacto mantenido:

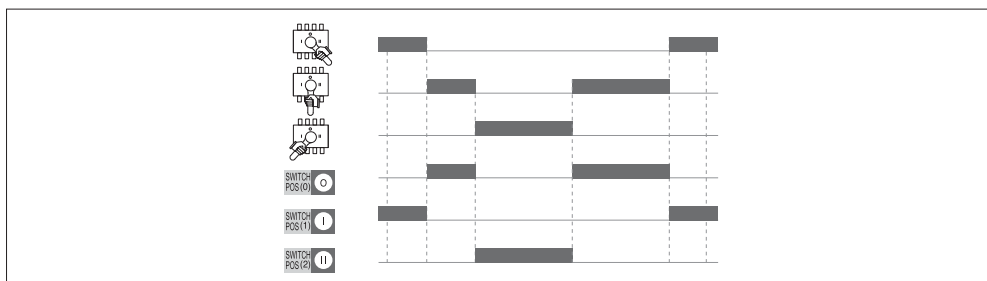


FUNCIONAMIENTO MANUAL

El funcionamiento en modo manual se activa de forma automática al insertar el mando auxiliar de accionamiento manual en su alojamiento.
La inserción del mando debe realizarse hasta que el mismo quede enclavado.



Una vez enclavado la unidad pasa a modo manual y las maniobras se realizan con el mando auxiliar de accionamiento manual.



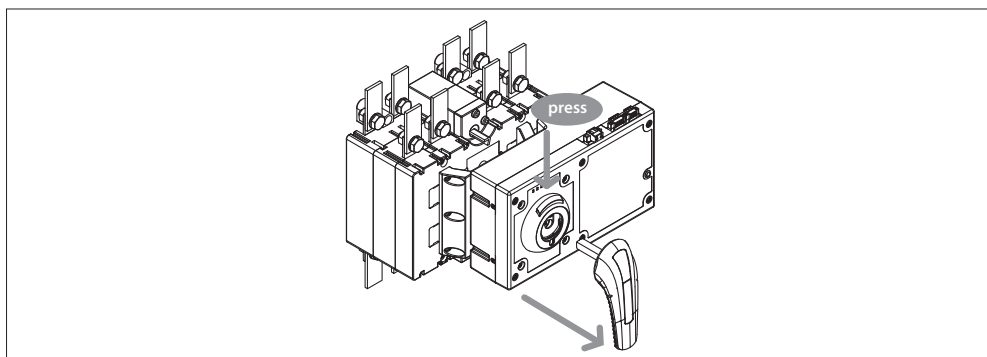
Entradas

No es posible en esta posición la operación automática, la unidad no responde a las señales eléctricas de entrada.

Retorno a modo automático

Una vez realizada la maniobra manual la unidad retorna al modo automático mediante la extracción del mando auxiliar de accionamiento manual.

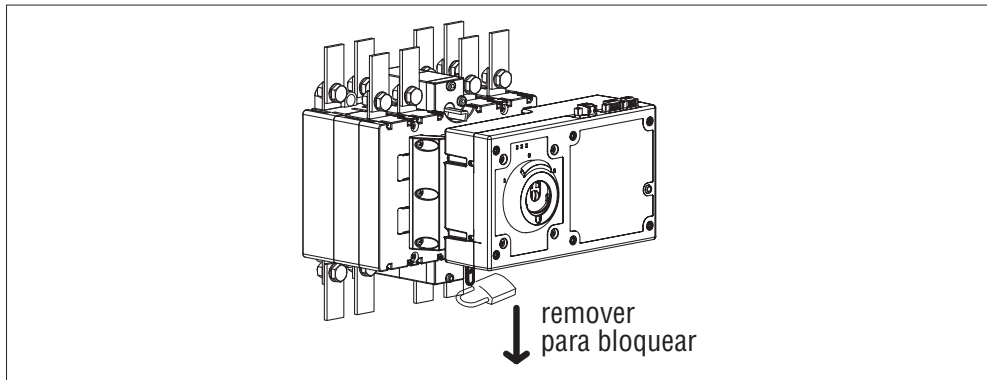
La extracción del mando se realiza presionando el pulsador blanco de la arandela de mando. Una vez pulsado el mando es expulsado de su alojamiento.



MODO BLOQUEO

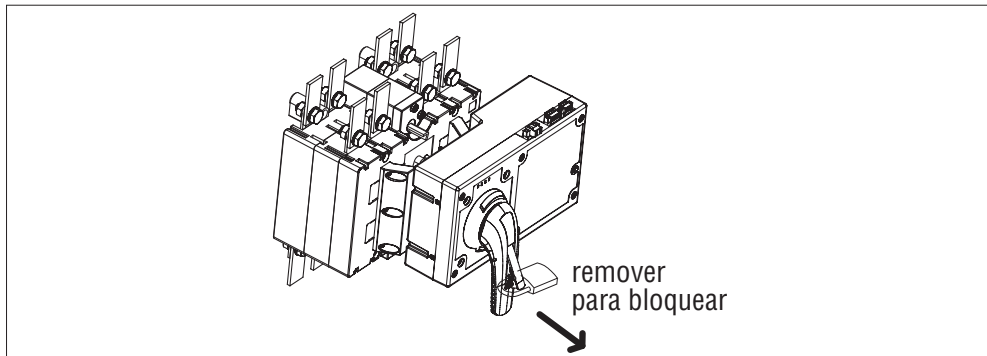
En este modo de funcionamiento es imposible tanto la maniobra manual como la eléctrica. Este modo puede ser activado mediante dos formas:

- Extrayendo la palanca del bloqueo por candado
- Instalando el mando auxiliar de accionamiento manual, pasando a posición 0 y activando el bloqueo por candado en el mando.



BLOQUEO POR CANDADO MEDIANTE LA EXTRACCIÓN DE LA PALANCA DE BLOQUEO ESCAMOTEABLE

Este bloqueo puede hacerse en cualquiera de las posiciones del aparato según sea conmutador I - 0 - II o interruptor 0 - I.



BLOQUEO POR CANDADO SOBRE EL MANDO AUXILIAR DE ACCIONAMIENTO MANUAL

Este bloqueo solo puede hacerse con el aparato en posición 0, una vez bloqueado, el mando no puede extraerse de la **UM**.

La señal de salida entre los bornes 8 y 9 solo se activa cuando el mando motorizado está bloqueado mediante la palanca enclavable.

LED ERROR

La **UM** lleva incorporado un led de indicación de errores.

La activación del mismo puede darse en alguna de las siguientes situaciones:

- Error por movimiento en bloqueo: Se ha movido el eje estando la unidad en modo bloqueo por candado.
- Error de finalización de maniobra: No se ha podido finalizar la maniobra en curso.
- Error por rotura de embrague: Se ha realizado un movimiento del eje con el mando auxiliar de accionamiento manual estando la unidad en estado AUTO. (ver anexo 6).

NOTA: Una vez activado el led de error, la **UM** queda bloqueada. El desbloqueo de la **UM**, sólo es posible mediante el apagado y posterior encendido de la .

Anexos

Anexo 1: referencias de conmutador

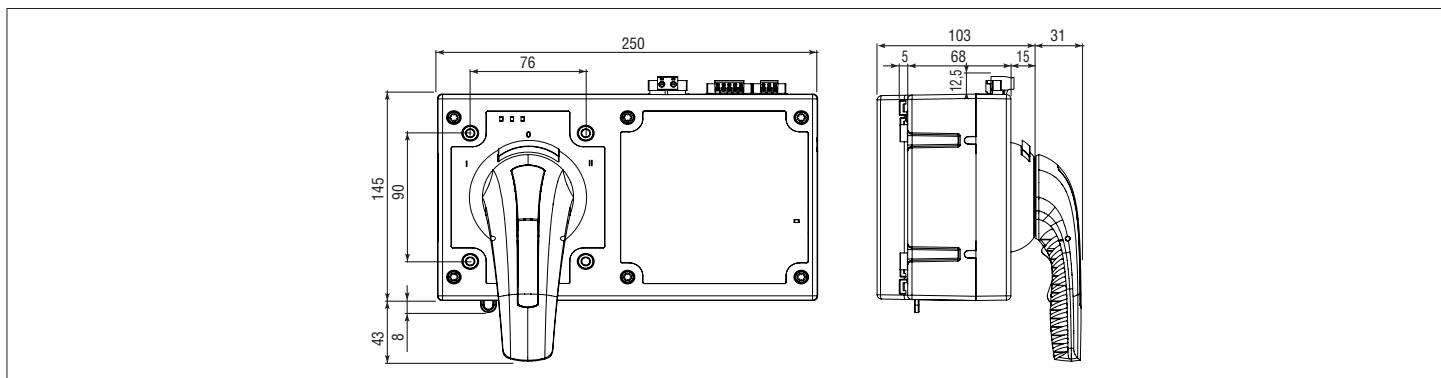
La gama de la **UM** está disponible en el rango de 160 a 800 Amp para conmutador. La tensión de alimentación es de 230VAC/DC

Conmutadores I - 0 - II		
A	3 P Código	3 P + N Código
160	GE0160E	GE0160ET4
200	GE0200E	GE0200ET4
200	GE0201E	GE0201ET4
250	GE0250E	GE0250ET4
315	GE0315E	GE0315ET4
400	GE0400E	GE0400ET4
500	GE0500E	GE0500ET4
630	GE0630E	GE0630ET4
800	GE0800E	GE0800ET4

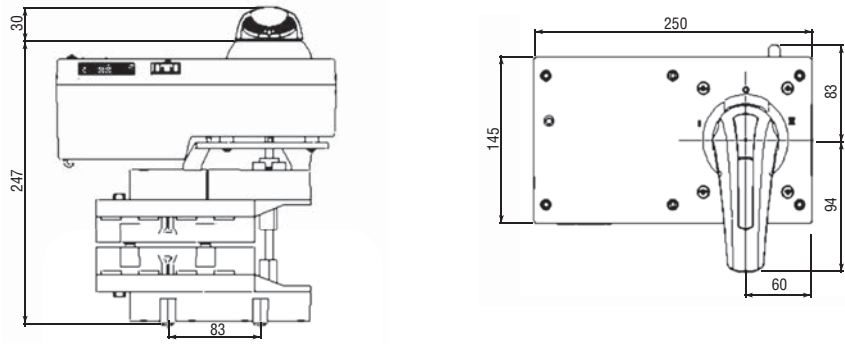
Unidad Motorizada MU	
A	230VAC/DC Código
160-200	GEX690C
250-400	GEX691C
500-800	GEX692C

Anexo 2:

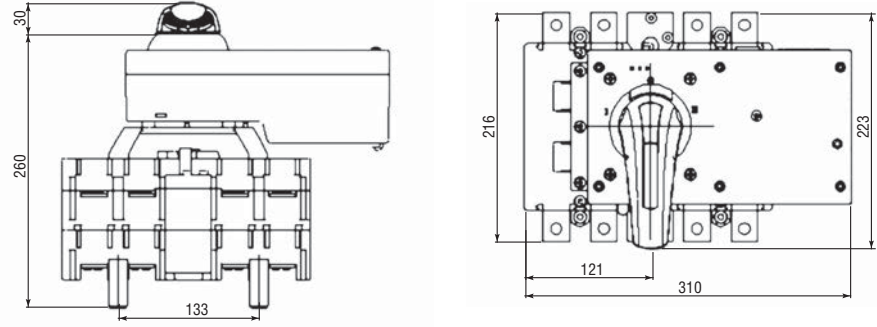
DIMENSIONES (mm)



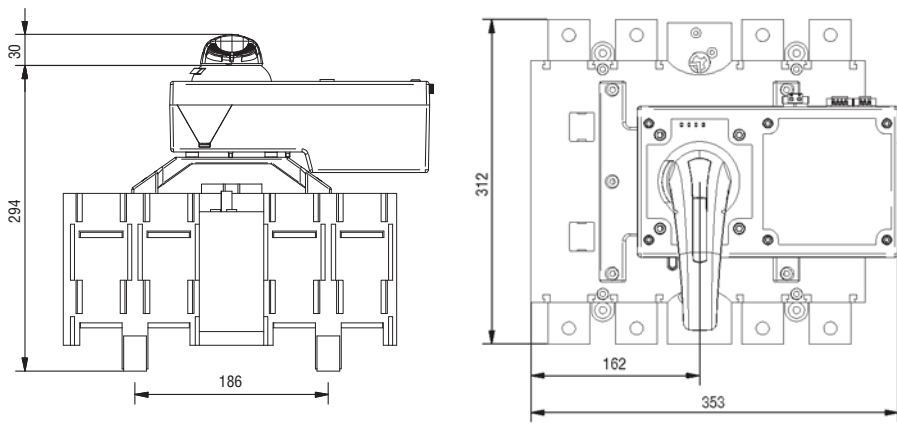
Conmutador
GE0160E/T4 - GE0200E/T4 + GEX690C



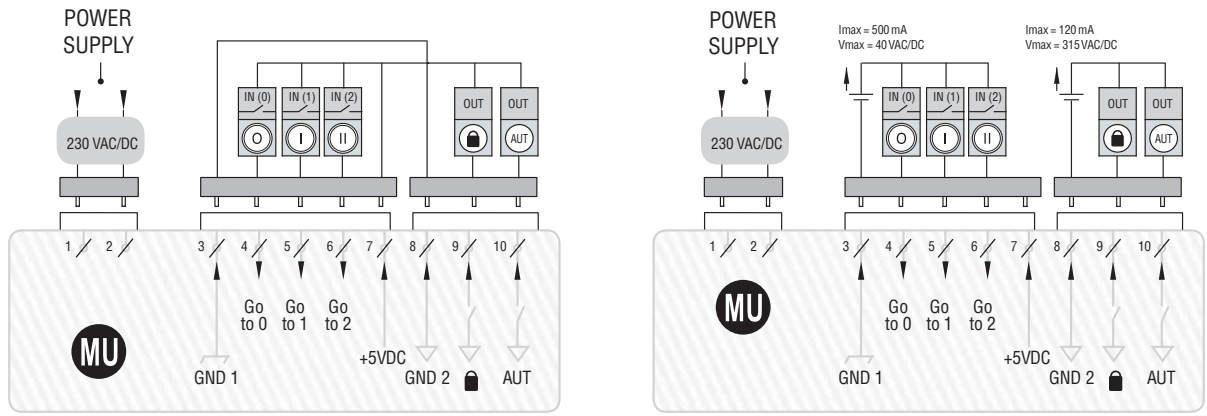
GE0201E/T4 - GE0400E/T4 + GEX691C



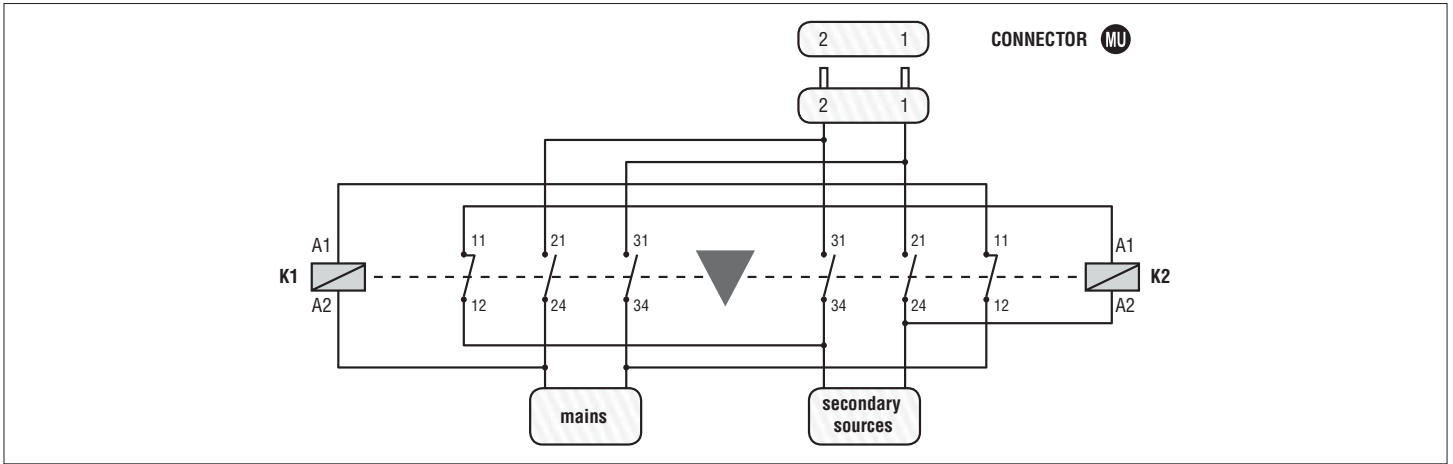
GE0500E/T4 - GE0800E/T4 + GEX692C



Anexo 3:
ESQUEMA ELÉCTRICO
CONMUTADOR I - 0 - II

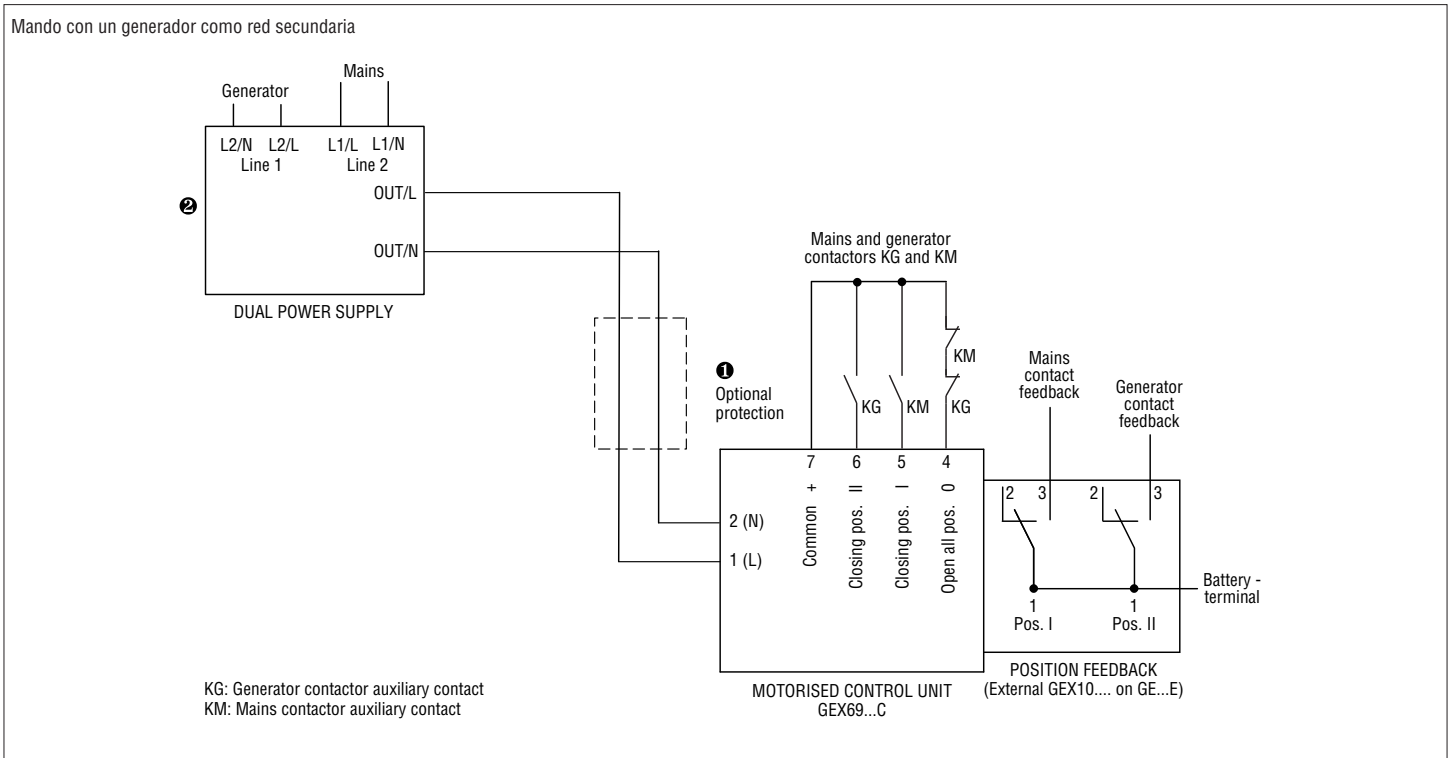


Esquema eléctrico propuesto para alimentación ininterrumpida exterior K1, K2 = 230VAC = Bobina 230VAC
 K1, K2 relés enclavados eléctrica y mecánicamente



EJEMPLO DE GEX69...C UTILIZAR RGK... LOVATO ELECTRIC

DIAGRAMA DE CONEXIÓN

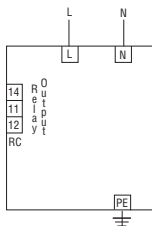
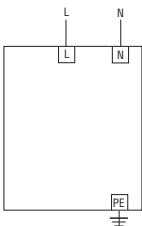


OPCIÓN 1

(e.g. LOVATO ELECTRIC SA2 1N A320 / A320R)

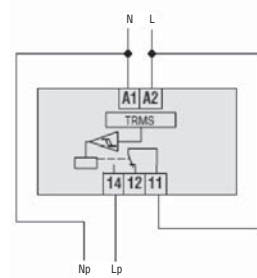
SA2 1N A320

SA2 1N A320R

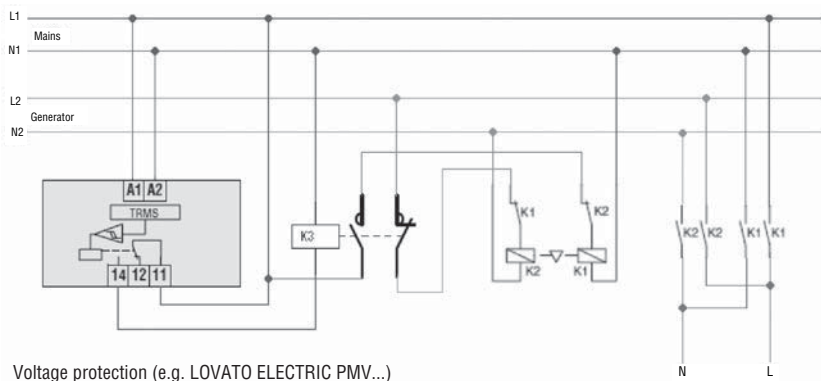


OPCIÓN 2

(e.g. LOVATO ELECTRIC PMV...)

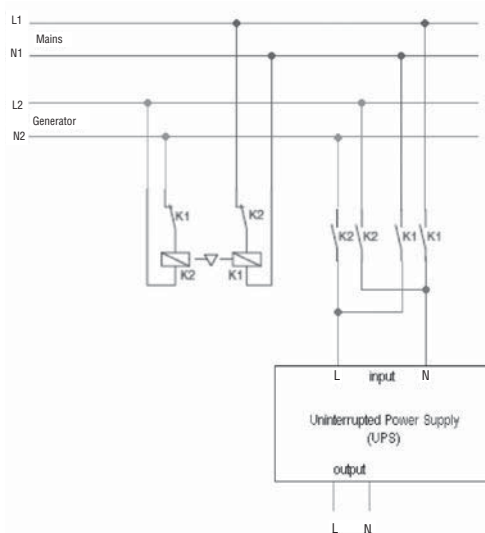


2 DUAL POWER SUPPLY OPCIÓN 1



Voltage protection (e.g. LOVATO ELECTRIC PMV...)

DUAL POWER SUPPLY OPCIÓN 2



Anexo 4: tabla de características eléctricas

		Conmutador GE0160E/T4 - GE0400E/T4	Conmutador GE0500E/T4 - GE0800E/T4
Pares de actuación	Nm	20	30
Tensión de alimentación	V	230VAC/DC	230VAC/DC
Margen de funcionamiento dispositivo ❶	ΔV	da 0,85V a 1,15V	da 0,9V a 1,1V
Margen de funcionamiento s. IEC 60947-6	ΔV	da 0,95V a 1,10V	da 0,95V a 1,10V
Sección cable de alimentación	mm ²	1,5 - 2,5	1,5 - 2,5
Sección cable entradas	mm ²	0,5 - 1,5	0,5 - 1,5
Sección cable salidas modo Auto-Bloqueo	mm ²	0,5 - 1,5	0,5 - 1,5
Intensidad máxima del dispositivo (Arranque)	A	1,1	1,1
Intensidad en reposo del dispositivo (I _{rms})	mA	45	45
Protección fusible ❷	A	1	1
Ángulo de maniobra		- 70° / 0° / +70° (I - 0 - II)	- 70° / 0° / +70° (I - 0 - II)
Nº de maniobras de la UM	Ciclos	10000	5000
Frecuencia maniobras (0 - I - II - 0)	Ciclos/hora	120	60
Margen de funcionamiento temperatura		-25°C +55°C	-25°C +55°C
Temperatura de transporte y almacenamiento		-40°C +70°C	-40°C +70°C
Peso	kg	1,8	1,8

❶ Según ensayos propios

❷ Referencia fusible F0,5AL250 V (Littelfuse)

Pos.	Dirección	Pos.	Tiempo de transferencia
0	→	I	750 ms
I	→	0	750 ms
0	→	II	750 ms
II	→	0	750 ms
I	→	II	1,5 seg
II	→	I	1,5 seg

Anexo 5: tabla EMC (compatibilidad electromagnética)

Inmunidad					
Ensayo	Norma	S/ norma UNE/EN 61000	S/ norma IEC 60947-6	Resultados Obtenidos	Valores obtenidos ensayos
Descargas electrostáticas	EN 61000-4-2	Especial, B	Especial, A	Especial, A	±8KV descarga en el aire ±4KV descarga en el equipo
Campo electromagnético de A.F.	EN 61000-4-3	Nivel 3, A	Nivel 3, A	Nivel 3, A	10 V/m de 80 MHz a 1 GHz
Transitorios rápidos. Ráfagas	EN 61000-4-4	Nivel 3, B	Nivel 3, A	Nivel 4, A	±4KV líneas alimentación, frec. Rep. 2,5kHz ±2KV líneas de señal, frec. Rep 5kHz
Transitorios rápidos. Ondas de Choque	EN 61000-4-5	Nivel 3, B	Nivel 3, A	Especial, A	±4KV líneas alimentación L1-L2 Impedancia generador 2Ω (onda 1.2/50 ms)
Perturbaciones conducidas	EN 61000-4-6	Nivel 3, A	Nivel 3, A	Nivel 3, A	10V alimentación y señal
C.E.M. frecuencia industrial	EN 61000-4-8	Nivel 4, A	—	Nivel 4, A	Intensidad de campo 30A/m
Inmunidad a huecos tensión, interrupciones y variaciones de tensión	EN 61000-4-11	Criterio B	—	Criterio A	30% Un - 1000 ms
		Criterio C	—	Criterio A	60% Un - 1000 ms
		Criterio C	—	Criterio B	95% Un - 5000 ms

Emisión					
Ensayo	Norma	S/ norma UNE/EN 61000	S/ norma IEC 60947-6	Resultados Obtenidos	Valores obtenidos ensayos
Emisión de corriente armónica	EN 61000-3-2	Nivel 3	Nivel 3	Nivel 3	0,02A corriente total (modo manual)
		Nivel 3	Nivel 3	Nivel 3	0,04A corriente total (modo automático)
Tensión perturbadora	EN 55011	Nivel 3	Nivel 3	Nivel 3	Cumple
Emisión radiada	N 55011	Nivel 3	Nivel 3	Nivel 3	Cumple

NOTA: La instalación de este aparato en entornos domésticos puede producir radiointerferencias.

EN 61000 equivale a IEC 61000 - EN 55011 equivale a CISPR11

CRITERIO A: Comportamiento de servicio normal dentro de los límites determinados

CRITERIO B: Alteración transitoria del servicio. El aparato retorna al funcionamiento normal sin intervención del operador

CRITERIO C: Se permite una pérdida de la función, siempre y cuando la función es auto-recuperable, o puede ser restaurada por el funcionamiento de los controles o el ciclisto de la energía de la ESE(Equipo Sometido a Ensayo) por el usuario de acuerdo con las instrucciones del fabricante.

Nivel de ensayo 3: Entorno industrial típico, sin medidas de instalación especiales

Nivel de ensayo 4: Entorno industrial severo.

Nivel de ensayo Especial: Nivel de severidad mayor en un entorno electromagnético

Anexo 6: tabla diagnóstico

Síntoma	Posible causa	Acción recomendada
Tras instalar la UM , en la primera maniobra en modo automático, la unidad no cambia de posición y se enciende el led de error	La UM no ha sido instalada con el interruptor o conmutador en posición "0"	Desinstalar la UM . Poner el interruptor o conmutador en posición "0" instalar de nuevo la unidad y repetir la maniobra
La UM no responde a las señales de entrada y el led de error permanece apagado	Tensión de alimentación fuera del rango especificado	Comprobar mediante un polímetro la tensión entre los terminales 1 y 2 de la UM . La misma debe estar en el rango especificado (ver anexo 5, pág. 15)
	Cableado hasta el conector de entradas dañado	Comprobar la continuidad del cableado desde el control hasta la UM
Sin haber accionado el bloqueo por candado ni utilizado el mando auxiliar de accionamiento manual, la UM no responde a las señales de entrada y el led de error se enciende.	Fusible de potencia fundido	Comprobar el estado del fusible mediante un polímetro. En caso de estar fundido, reemplazarlo por uno de características idénticas conforme (ver anexo 5, pág.15)
Tras haber insertado y extraído el mando auxiliar de accionamiento manual, la UM no responde a las señales de entrada y el led de error permanece apagado	El embrague de mando manual no ha recuperado la posición de reposo	Introducir de nuevo el mando auxiliar de accionamiento manual, y comprobar en la extracción que el mismo es expulsado de forma automática por el embrague. Verificar mediante un polímetro o similar que la salida entre los terminales 7 y 9 se encuentra cerrada (modo AUTO activado)
Tras haber insertado el mando auxiliar de accionamiento manual, se ha realizado con el mismo un cambio de posición del interruptor o conmutador, y tras la extracción del mando, la UM no responde a las señales de entrada. El led de error se encuentra apagado.	Embrague de mando manual no ha recuperado la posición de reposo	Introducir de nuevo el mando auxiliar de accionamiento manual, y comprobar en la extracción que el mismo es expulsado de forma automática por el embrague. Verificar mediante un polímetro o similar que la salida entre los terminales 7 y 9 se encuentra cerrada (modo AUTO activado)
Tras haber insertado el mando auxiliar de accionamiento manual, se ha realizado con el mismo un cambio de posición del interruptor o conmutador, y tras la extracción del mando, la UM no responde a las señales de entrada. El led de error se encuentra encendido.	Incoherencia entre la posición de la UM y la posición del interruptor o conmutador no resuelta por el control de la UM	Introducir de nuevo el mando auxiliar de accionamiento manual, y retornar el interruptor o conmutador a la posición de origen previa al fallo. Comprobar la recuperación de las funciones automáticas.

NOTA: NOTA: Una vez activado el led de error la **UM** queda bloqueada. El desbloqueo de la **UM** sólo es posible mediante el apagado y posterior encendido de la **UM**.

NORMATIVA

- IEC/EN 60947-1 y 3. Aparata de baja tensión. Parte general de Interruptores - seccionadores.
- IEC/EN/UNE 61000-6, partes 2 y 4. Compatibilidad electro-magnética en entornos industriales, inmunidad y emisión.
- Según directiva europea de Baja Tensión 2006/95/CE.
- Según directiva europea 2004/108/CE de EMC.

Este aparato se ajusta al marcado 

NOTA: El contenido de este documento podrá modificarse en el futuro sin notificación previa.